



Key Switches

Specifications:

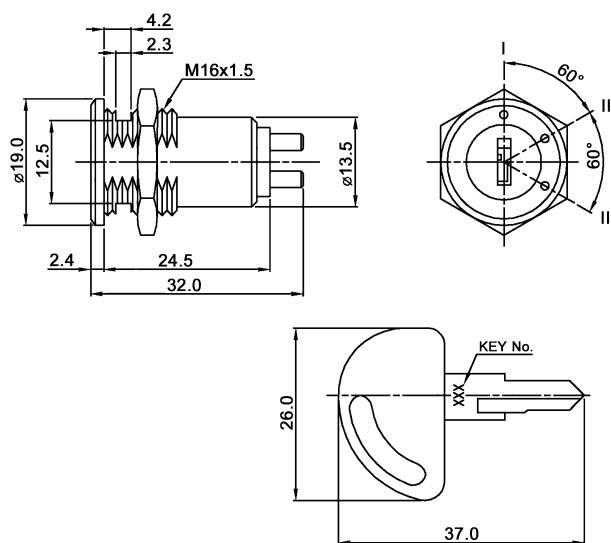
Contact rating:	125 V AC, 0.2 A
Contact resistance:	< 10 mΩ
Insulation resistance:	> 200 MΩ
Dielectric strength:	1000 V, 50 Hz for the duration of 1 minute
Operating temperature:	-20 °C to +70 °C
Mechanical life:	minimum 10 000 steps
Material:	Case: zinc alloy, chromium-plated Contacts and Terminals: silver-plated Key: brass, nickel-plated, POM-cover
Angle between 2 positions:	60°
Mounting:	single-hole mounting, thread M16x1 with flat

Models: Switching functions

MRK 331 on – on

MRK 332 off – on

MRK 333 off – on – on



Key removable in all positions.

Switches are always supplied with 2 keys.