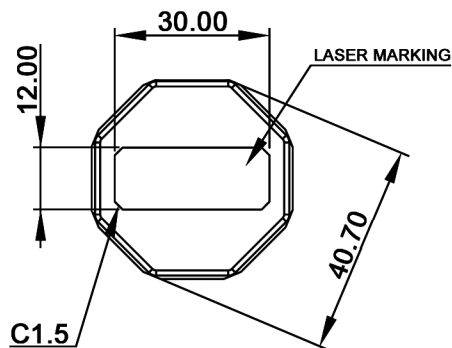
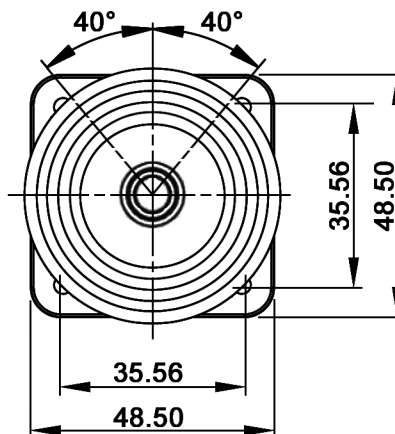
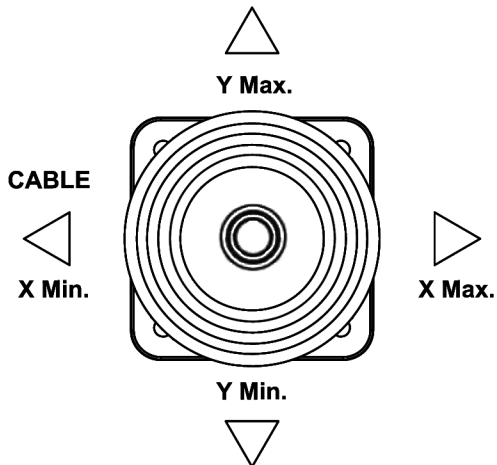
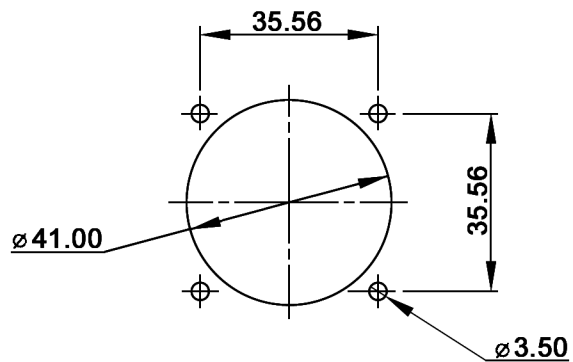


CONFIGURATIONS



PANEL MOUNTING



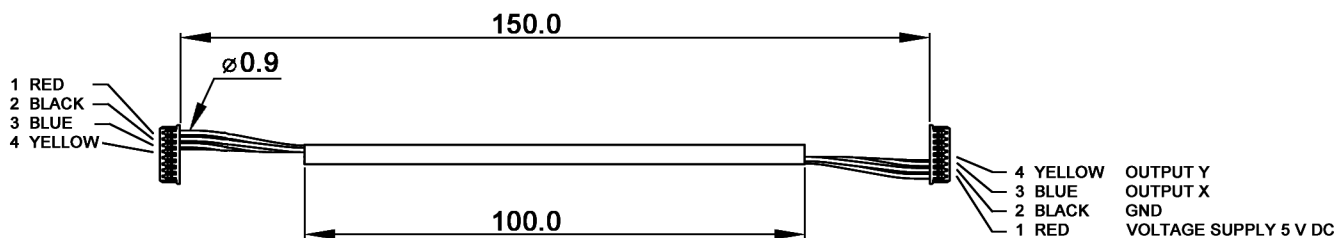
Compliance: RohS III (2015/863/EU)

Tolerances: 0.00: ±0.25 mm 0.0: ±0.40 mm	Date	Name
	01/22	dr

JSH 02A

Renamed	02/25	dr	knitter-switch
Revised	10/22	dr	
Modifications	Date	Name	

30 47 48



CONNECTOR EQUIVALENT MOLEX 51021-0800

Specifications:

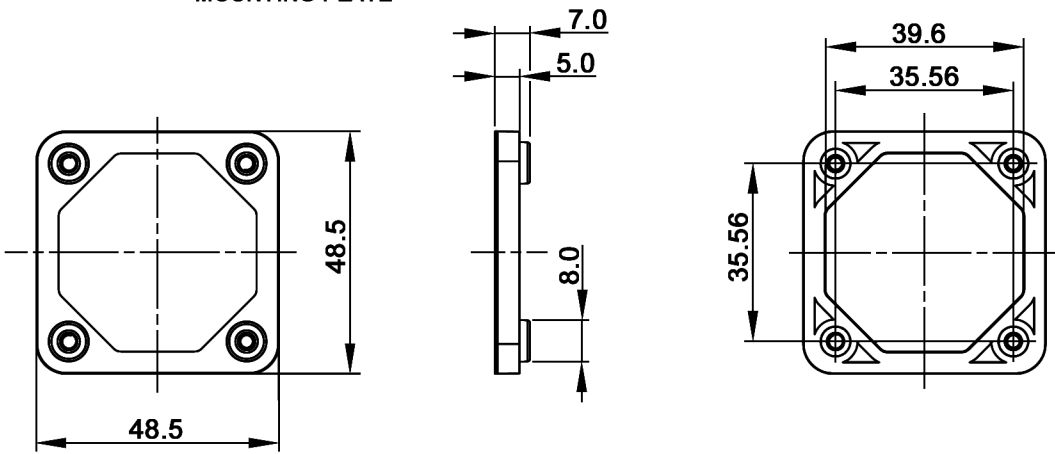
Technology: Hall-effect
 Power supply: 5 V DC +/-10%
 Over-voltage: +20 V DC
 Reverse voltage protection: -10 V DC
 Output: 0....5 V DC
 Output current (X/Y): 8 mA max.
 Output load: 10 kOhm
 Central output voltage: 2.5 V DC +/-0.1 V
 Non-linearity: < 3%
 Operating temperature: -20°C to +65°C
 Mech. & electrical life: 5 000 000 cycles (X, Y)
 Mechanical specifications: Centering: Spring return
 Operating force: 2.3....6 N
 Max. load: 200 N

Compliance: RohS III (2015/863/EU)

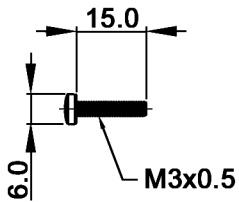
Tolerances: 0.00: ±0.25 mm 0.0: ±0.40 mm	Date	Name	<h1>JSH 02A</h1>
	01/22	dr	
Renamed	02/25	dr	<h1>30 47 48</h1>
Revised	10/22	dr	
Modifications	Date	Name	knitter-switch
			Page 2/3

HARDWARE:

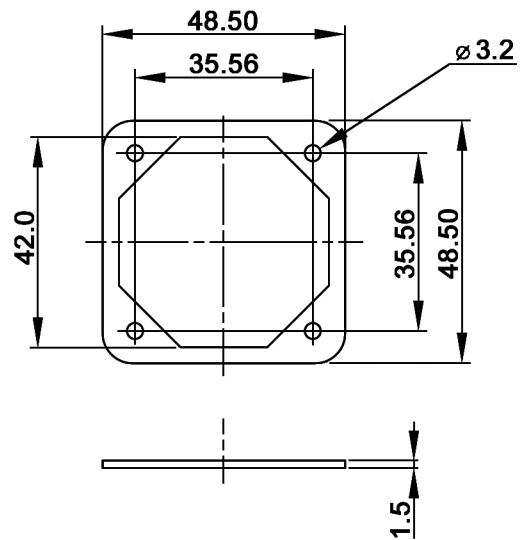
MOUNTING PLATE



CROSS-HEADED SCREW



GASKET



Compliance: RohS III (2015/863/EU)

Tolerances: 0.00: ±0.25 mm 0.0: ±0.40 mm	Date	Name	<h1>JSH 02A</h1>
	01/22	dr	
Renamed	02/25	dr	<h1>30 47 48</h1>
Revised	10/22	dr	
Modifications	Date	Name	Page
			3/3