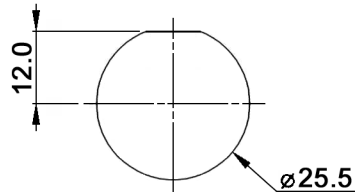


**MOUNTING HOLE  
DETAIL**

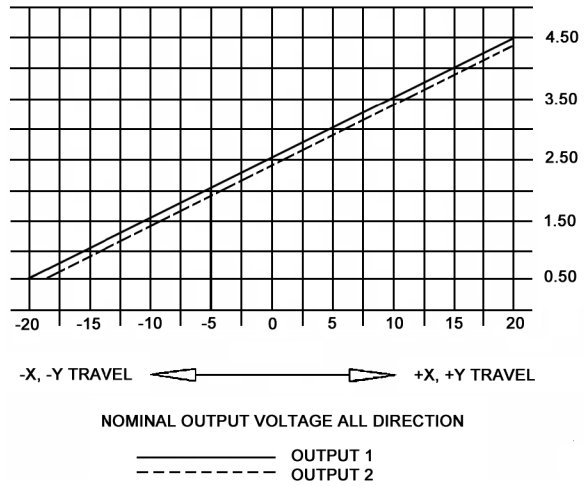


**Specifications:**

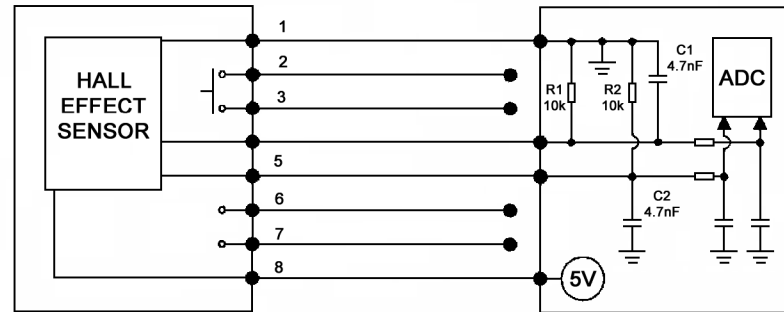
**Supply current:** 10 mA +/-10%  
**Supply voltage:** 5 V DC +/-10%  
**Out put current:** 8 mA +/-10%  
**Contact rating:** 10 mA max., 12 V DC  
**Insulation resistance:** 100 MOhm at 250 V DC  
**Dielectric strength:** 300 V AC for 1 minute  
**Operating temperature:** -40°C to +85°C  
**Mechanical life:** 1 000 000 min. cycles  
**Electrical life:** 1 000 000 min. cycles  
**Operating force:** 7 N max. +/-30%  
**Pull and push stroke of shaft:** 2 N.cm for 1 minute  
**Strength of end stop:** 2 N.cm for 1 minute  
**Travel:** 0.4-0.6 mm  
**Soldering conditions:** 280°C, 2sec. max.  
**Compliance:** RohS III (2015/863/EU)

Tolerances: ≤10: ±0.3 mm		Date	Name	<b>JSH 25 P5S100CRC</b>
10-100: ±0.5 mm		04/23	dr	
				<b>knitter-switch</b>
				<b>30 50 83</b>
				Page
				1/2
Modifications	Date	Name		

### JOYSTICK OUTPUT WAVEFORM



### SCHEMATIC



Terminal	Function	Cable color
1	ground	black
2	push switch	orange
3	push switch	orange
4	output 1	blue
5	output 2	yellow
6	n.c.	gray
7	n.c.	white
8	power 5 V	red

Compliance: RohS III (2015/863/EU)

Tolerances: ≤10: ±0.3 mm 10-100: ±0.5 mm		Date	Name	<h1>JSH 25 P5S100CRC</h1>
		04/23	dr	
		<b>knitter-switch</b>		<h2>30 50 83</h2>
Modifications		Date	Name	Page 2/2