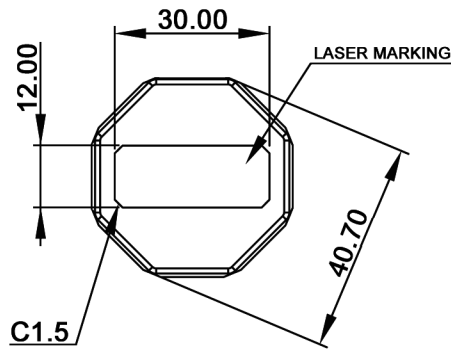
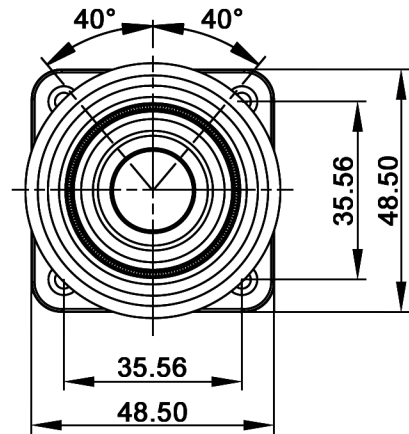
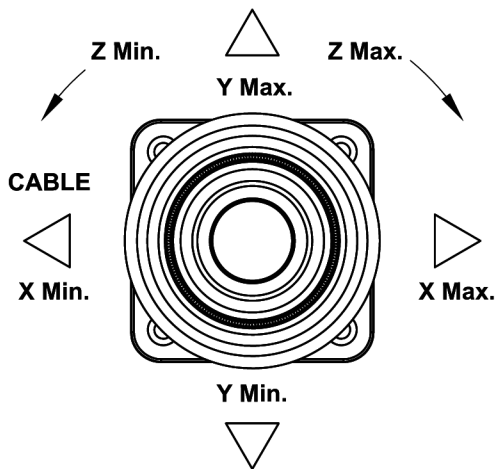
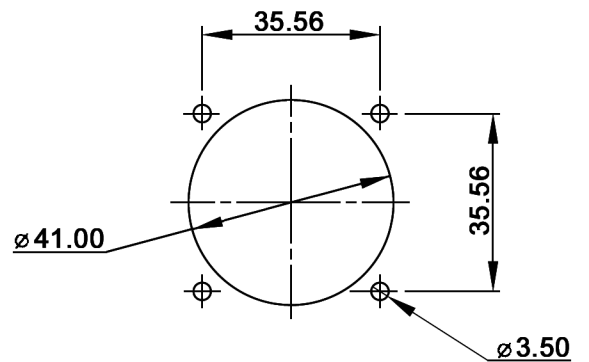


**CONFIGURATIONS**



**PANEL MOUNTING**



Compliance: RohS III (2015/863/EU)

Tolerances: 0.00: ±0.25 mm 0.0: ±0.40 mm	Date	Name
	06/21	dr
Renamed	02/25	dr
Mech. & electrical life	10/22	dr
Renamed	11/21	dr
Modifications	Date	Name

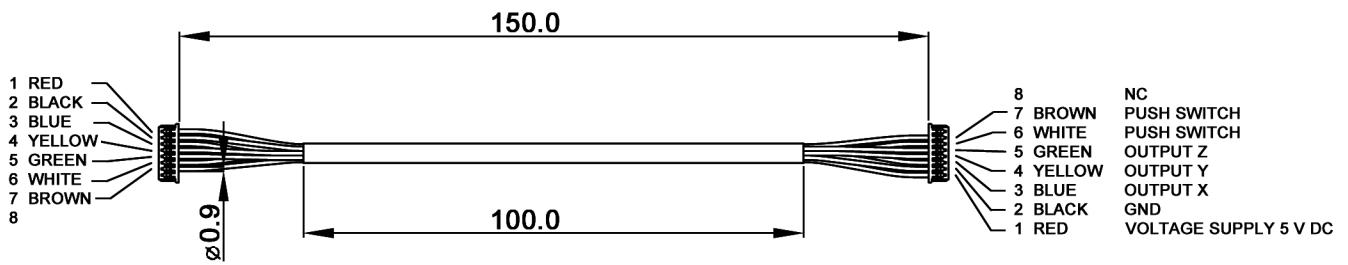
**JSH 03B**

**knitter-switch**

**30 46 56**

Page

1/3



CONNECTOR EQUIVALENT MOLEX 51021-0800

**Specifications:**

Technology: Hall-effect  
 Power supply: 5 V DC +/-10%  
 Over-voltage: +20 V DC  
 Reverse voltage protection: -10 V DC  
 Output: 0....5 V DC  
 Output current (X/Y): 8 mA max.  
 Output current (Z): 12 mA max.  
 Output load: 10 kOhm  
 Central output voltage: 2.5 V DC +/-0.1 V  
 Non-linearity: < 3%  
 Operating temperature: -20°C to +65°C  
 Mech. & electrical life: 5 000 000 cycles (X, Y)  
 1 000 000 cycles (Z)

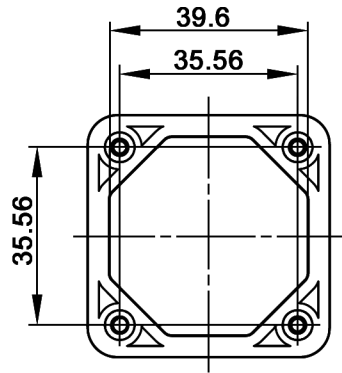
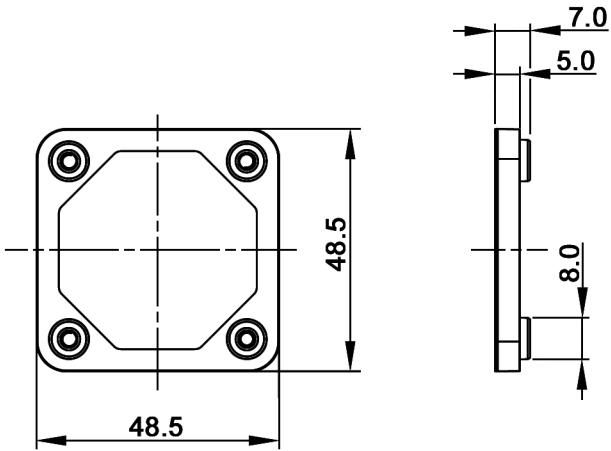
Mechanical specifications: Centering: Spring return  
 Operating force: 2.3....6 N  
 Max. load: 200 N

Compliance: RohS III (2015/863/EU)

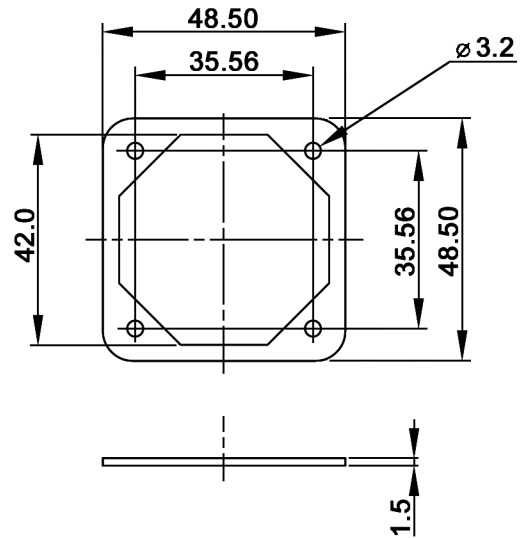
Tolerances: 0.00: ±0.25 mm 0.0: ±0.40 mm	Date	Name	<h1>JSH 03B</h1>
	06/21	dr	
Renamed	02/25	dr	<h1>30 46 56</h1>
Mech. & electrical life	10/22	dr	
Renamed	11/21	dr	
Modifications	Date	Name	<h1>knitter-switch</h1>
			Page 2/3

**HARDWARE:**

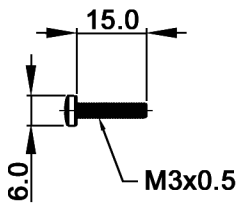
**MOUNTING PLATE**



**GASKET**



**CROSS-HEADED SCREW**



Compliance: RohS III (2015/863/EU)

Tolerances: 0.00: ±0.25 mm 0.0: ±0.40 mm		Date	Name	<h1>JSH 03B</h1>
		06/21	dr	
Renamed	02/25	dr	<h2>knitter-switch</h2>	<h1>30 46 56</h1>
Mech. & electrical life	10/22	dr		
Renamed	11/21	dr		
Modifications	Date	Name		Page 3/3