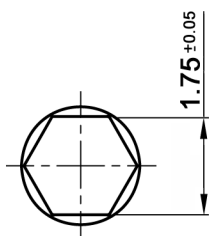
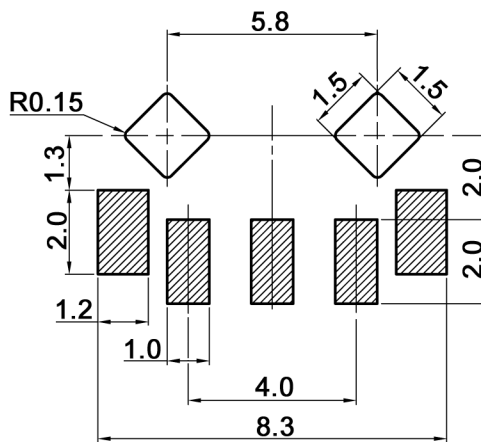


SHAFT DETAIL



P.C.B. MOUNTING HOLE DETAIL



Compliance: RohS II (2011/65/EU)

Tolerances:	L≤10: ±0.30mm	Date	Name
	L>10: ±0.50mm	11/13	dr
	L≥100: ±0.80mm		
Packaging	07/14	dr	
Modifications	Date	Name	

MERS 5-12

30 29 57

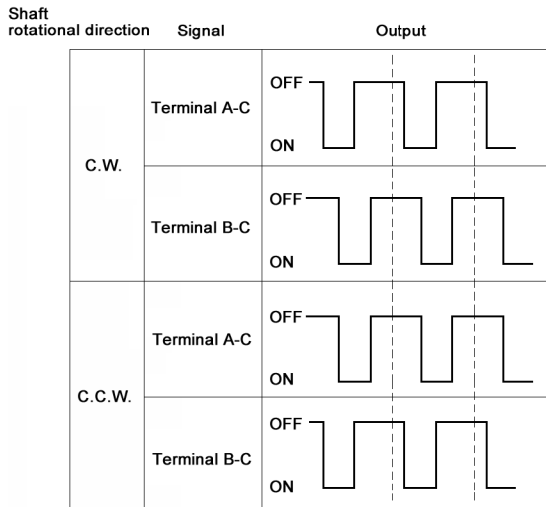
Page

1/2

Specifications:

Contact rating: 1mA, 5V DC
 Insulation resistance: 50MOhm min. at 50V DC for 1 minute
 Dielectric strength: 50V AC for 1 minute
 Operating temperature: -10°C to +70°C
 Storage temperature: -15°C to +85°C
 Rotational life: 100 000 cycles
 Resolution: 12 pulses / 360° for each phase
 Detent torque: 10-80gf.cm
 No. and pos. of detents: 12 detents; step angle: 30° +/-3°
 Packaging unit: 1400 pcs. / reel

OUTPUT SIGNAL FORMAT



Compliance: RohS II (2011/65/EU)

Tolerances: L≤10: ±0.30mm L>10: ±0.50mm L≥100: ±0.80mm	Date	Name	MERS 5-12
	11/13	dr	
			30 29 57
			knitter-switch
			30 29 57
			Page
			2/2
Modifications	Date	Name	