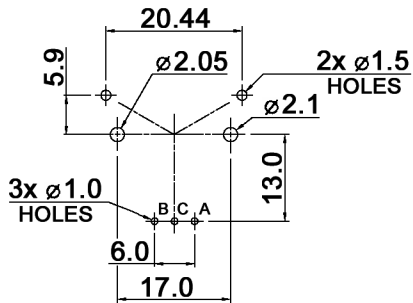


P.C.B. MOUNTING DETAIL
(TOLERANCE ±0.1)
VIEW FROM MOUNTING SIDE
t=1.6mm



Compliance: RohS III (2015/863/EU)

Tolerances:		Date	Name
L≤10:	±0.1 mm	12/17	dr
10<L≤100:	±0.15 mm		
Detents	02/21	dr	
Modifications	Date	Name	

MER23-10

knitter-switch

30 39 92

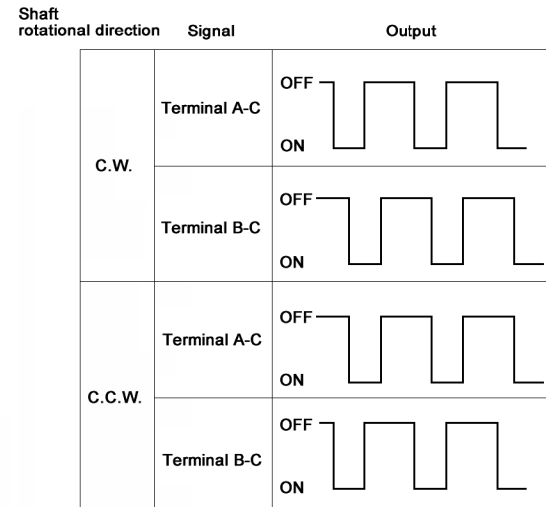
Page

1/2

Specifications:

Contact rating: 10 mA, 5 V DC
Insulation resistance: 100 Mohm min. at 100 V DC
Dielectric strength: 100 V AC (50/60 Hz, 2 mA) for 1 minute
Operating temperature: -10°C to +60°C
Storage temperature: -40°C to +85°C
Resolution: 10 pulses / 360° for each phase
No. of detents: no detents
Rotational torque: 0.5 Ncm max.
Rotational life: 50 000 cycles
Soldering conditions: 260 +/-5°C, 5 +/-1 sec.
Material: Contacts / terminals: copper alloy, silver plated
Case: PA66
Cover: stainless steel

OUTPUT SIGNAL FORMAT



Compliance: RohS III (2015/863/EU)

Tolerances:		L≤10: ±0.1 mm	Date	Name	MER23-10
		10<L≤100: ±0.15 mm	12/17	dr	
			knitter-switch		30 39 92
Detents	02/21	dr			Page
Modifications	Date	Name			2/2