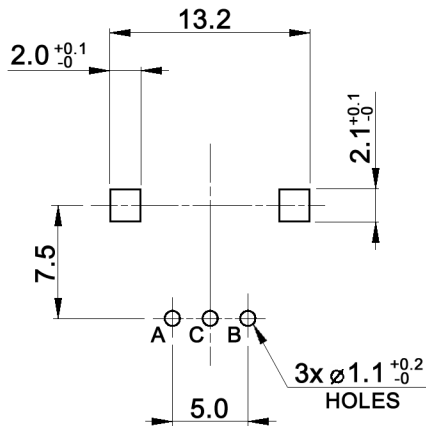


OUTPUT SIGNAL FORMAT

| Shaft rotational direction | Signal | Output |
|----------------------------|--------------|-----------|
| C.W. | Terminal A-C | OFF ON |
| | Terminal B-C | OFF ON |
| C.C.W. | Terminal A-C | OFF ON |
| | Terminal B-C | OFF ON |

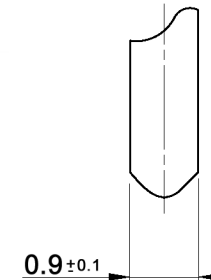
P.C. MOUNTING t=1.6mm



Specifications:

| | |
|------------------------|---|
| Contact rating: | 0.5mA, 5V DC |
| Insulation resistance: | 100MΩ min. at 250V DC |
| Dielectric strength: | 300V AC for 1 minute |
| Operating temperature: | -10°C to +70°C |
| Storage temperature: | -40°C to +85°C |
| Rotational life: | 30 000 cycles |
| Rotational torque: | 50gf.cm max. |
| Resolution: | 24 pulses / turn |
| No. of detents: | no detents |
| Soldering conditions: | max. 260 +/-5°C, 5 +/-1sec. pre-heat: max. 100°C, max. 120sec. |

TERMINAL DETAIL



| | | |
|---|-------|------|
| Tolerances: ≤10: ±0.3mm 10-100: ±0.5mm | Date | Name |
| | 07/10 | dr |
| | | |
| | | |
| | | |
| | | |
| Output signal format | 03/11 | dr |
| Modifications | Date | Name |

MER12-24N120

knitter-switch

30 21 37

Page

1/1