



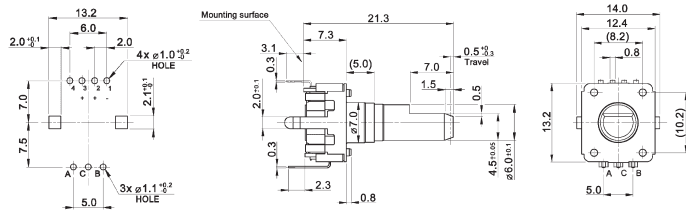
Illuminated Encoder

Specifications:

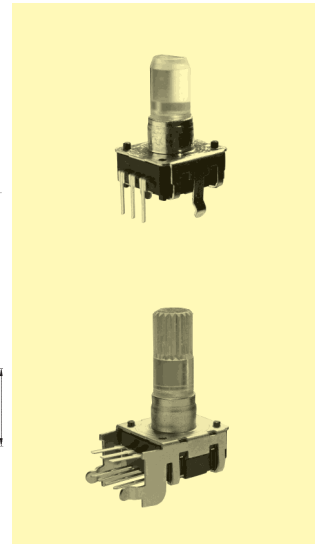
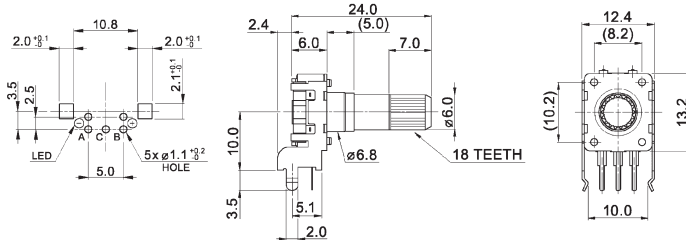
Contact rating:	5 V DC, 0.5 mA
Insulation resistance:	> 100 MΩ at 250 V DC / 1 mA
Dielectric strength:	300 V AC for 1 minute
Operating temperature:	-10 °C to +70 °C
Rotational/Detent torque:	0.5 Ncm/2.0 Ncm
Pulse/Detents per turn:	12/12 or 24/24, version "N": no detent
Mechanical life (cycle function):	minimum 30 000 cycles
Pushbutton (optional):	Operating force: 4 N, travel 0.5 mm, mechanical life >20 000 operations
Contacts:	silver-plated
Terminals:	silver-plated
Mounting:	on pc-board with pin-contact optional single hole mounting, bushing M 9 x 0.75
Illuminating:	Types with push button: 2 LED; types without push button: 1 LED
Soldering conditions:	wave-soldering – max.: 5 sec, 260 °C

Models:

MERP12-24121BG



MER12-12224RE-R



10

Ordering code 12 mm Encoder:

Switch function:
 no switch
 switch

Detent:
 with
 without

Shaft type:
 1 flat shaft
 2 knurled shaft

Bushing thread:
 M9 M9
 no thread

LED colour:
 BL blue (for MER)
 RE red (for MER)
 GN green (for MER)
 OA orange (for MER)
 WH white (for MER)

Orientation:
 R horizontal
 vertical

Number of pulses:
 12 12 pulses
 24 24 pulses

Shaft length:
 on demand

Output signal format:

Shaft rotational direction	Signal	Output
C.W.	Terminal A-C	OFF ON
	Terminal B-C	OFF ON
C.C.W.	Terminal A-C	OFF ON
	Terminal B-C	OFF ON