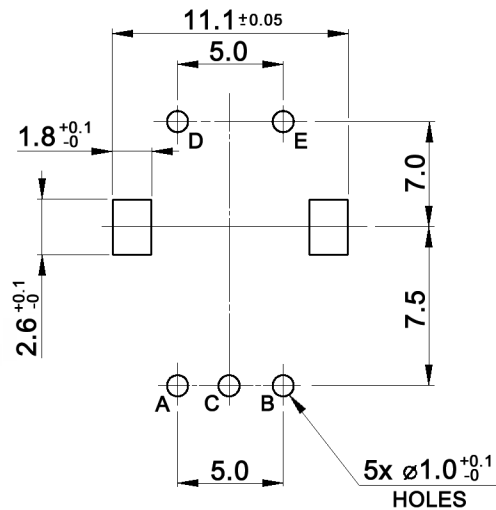


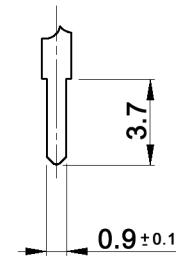
**P.C.B. MOUNTING**  
(TOLERANCE ±0.1)  
VIEWED FROM MOUNTING SIDE  
t=1.6mm



**CIRCUIT DIAGRAM**



**TERMINAL DETAIL**



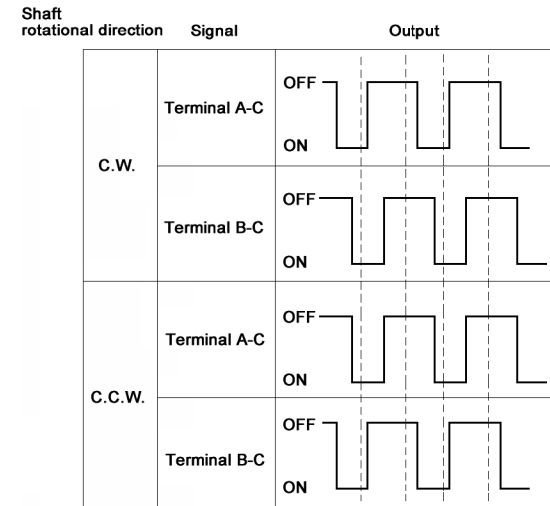
Compliance: RohS III (2015/863/EU)

Tolerances: ≤10: ±0.3mm 10-100: ±0.5mm		Date	Name	<h1>MERP11-15125B</h1>
		12/23	dr	
		<b>knitter-switch</b>		<h2>30 52 88</h2>
Modifications		Date	Name	Page 1/2

**Specifications:**

**Contact rating:** 10mA, 5V DC  
**Contact resistance:** 100mOhm max.  
**Insulation resistance:** 100MOhm min. at 250V DC  
**Dielectric strength:** 300V AC for 1 minute  
**Operating temperature:** -40°C to +85°C  
**Storage temperature:** -40°C to +85°C  
**Resolution:** 15 pulses / 360° for each phase  
**Detent torque:** 0.3-2 N.cm  
**No. and pos. of detents:** 30 detents; step angle 12° +/-3°  
**Rotational life:** 15 000 cycles  
**Soldering conditions:** 260 +/-5°C, 5 +/-1sec.  
**Switch:** Mechanical life: 20 000 cycles  
 Operating force: 6 +/-3 N

**Output signal format**



Compliance: RohS III (2015/863/EU)

Tolerances: ≤10: ±0.3mm 10-100: ±0.5mm		Date	Name	<h1>MERP11-15125B</h1>
		12/23	dr	
		<b>knitter-switch</b>		<h2>30 52 88</h2>
Modifications	Date	Name		Page 2/2