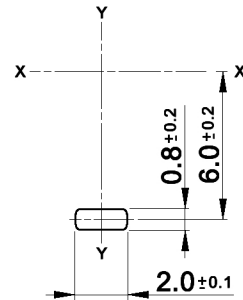
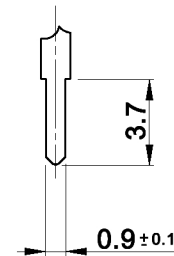


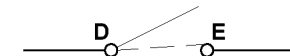
LUG DETAIL



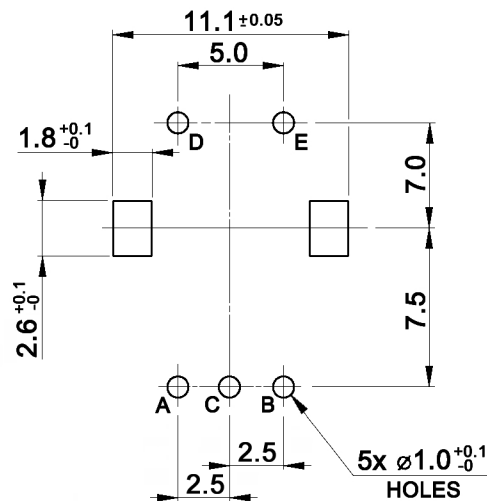
TERMINAL DETAIL



CIRCUIT DIAGRAM



P.C.B. MOUNTING  
t=1.6mm



Compliance: RohS III (2015/863/EU)

Tolerances: ≤10: ±0.3mm 10-100: ±0.5mm			Date	Name	<b>MERP11-15120BM7</b>
			12/18	dr	
Position lug	07/22	dr	<b>knitter-switch</b>		<b>30 41 82</b>
Accessory	01/21	dr			
Modifications	Date	Name			
					Page
					1/2

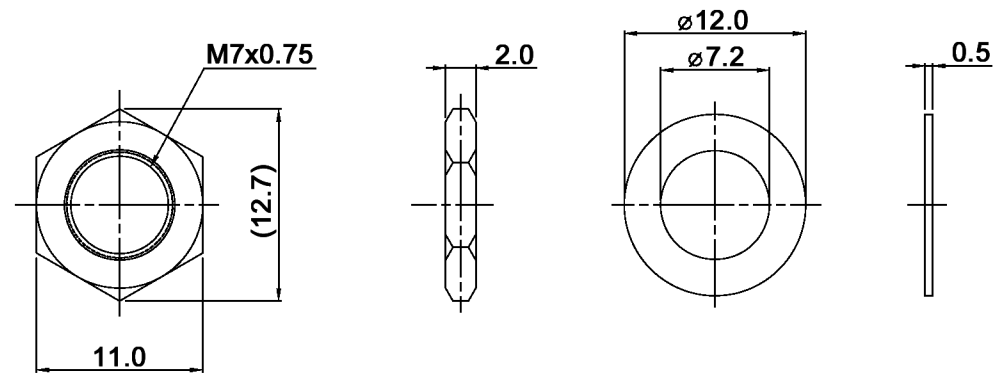
**Specifications:**

**Contact rating:** 10mA, 5V DC (1mA min.)  
**Contact resistance:** 100mOhm max.  
**Insulation resistance:** 100MOhm min. at 250V DC / 1mA  
**Dielectric strength:** 300V AC for 1 minute  
**Operating temperature:** -40°C to +85°C  
**Storage temperature:** -40°C to +85°C  
**Rotational life:** 15 000 cycles  
**Detent torque:** 30-200gf.cm  
**Resolution:** 15 pulses  
**No. of detents:** 30 detents; step angle: 12 +/-3°  
**Soldering conditions:** 260 +/-5°C, 5 +/-1.0sec.  
**Switch:** Travel: 0.5 <sup>+0.4</sup><sub>-0.3</sub> mm  
 Mechanical life: 20 000 cycles  
 Operating force: 600 +/-300gf

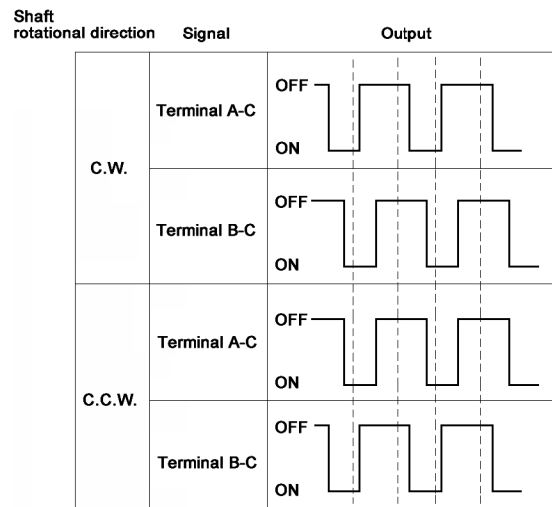
**ACCESSORY:**

**NUT**

**WASHER**



**Output signal format**



**Compliance: RohS III (2015/863/EU)**

Tolerances: ≤10: ±0.3mm 10-100: ±0.5mm		Date	Name	<b>MERP11-15120BM7</b>
		12/18	dr	
Position lug	07/22	dr	<b>knitter-switch</b>	<b>30 41 82</b>
Accessory	01/21	dr		
Modifications	Date	Name		Page 2/2