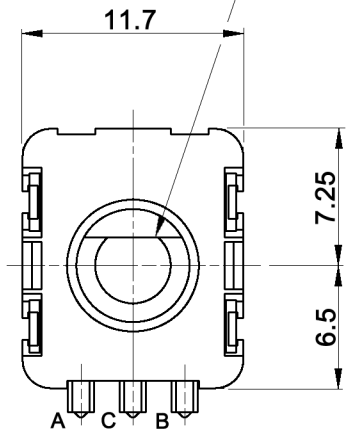
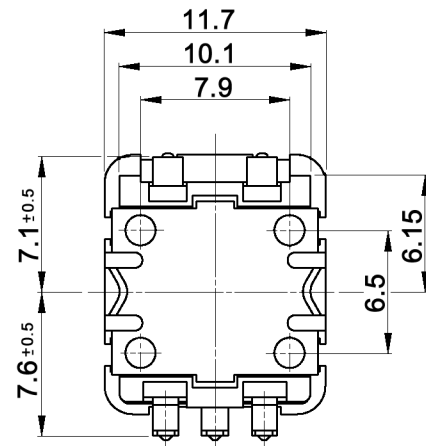
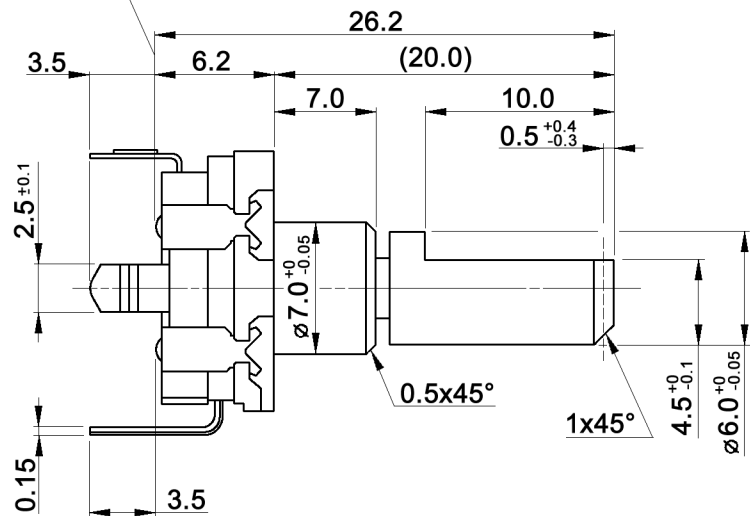


Shaft flat is optional angle

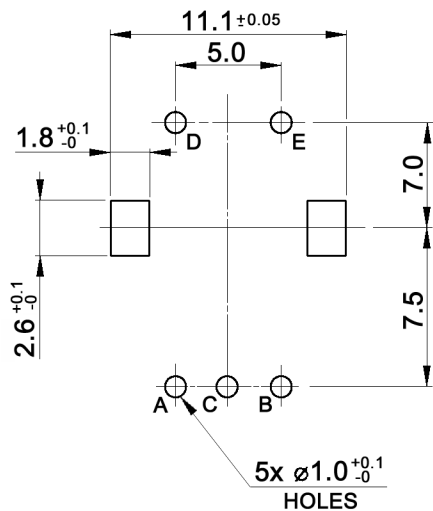


Mounting surface



P.C.B. MOUNTING

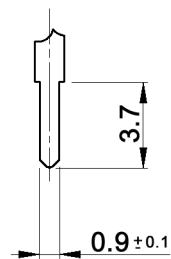
t=1.6mm



CIRCUIT DIAGRAM



TERMINAL DETAIL

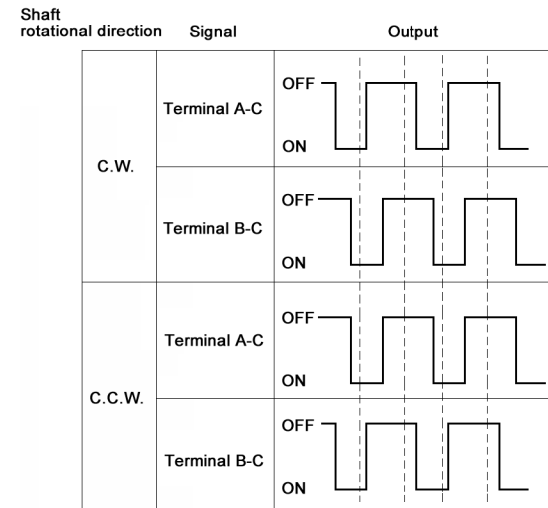


Tolerances: ≤10: ±0.3mm 10-100: ±0.5mm		Date	Name	<h1>MERP11-15120B</h1>
		07/08	dr	
Temperatures	07/08	dr	<h2>knitter-switch</h2>	<h1>30 15 24</h1>
Modifications	Date	Name		

**Specifications:**

Contact rating: 10mA, 5V DC (1mA min.)  
 Contact resistance: 100mOhm max.  
 Insulation resistance: 100MOhm min. at 250V DC / 1mA  
 Dielectric strength: 300V AC for 1 minute  
 Operating temperature: -40°C to +85°C  
 Storage temperature: -40°C to +85°C  
 Rotational life: 15 000 cycles  
 Detent torque: 12 +/-7mNm  
 Resolution: 15 pulses  
 No. of detents: 30 detents; step angle: 12° +/-3°  
 Soldering conditions: 260 +/-5°C, 5 +/-1.0sec.  
 Switch: Travel: 0.5<sup>+0.4</sup><sub>-0.3</sub> mm  
 Mechanical life: 25 000 cycles  
 Operating force: 6 +/-3N

**Output signal format**



Tolerances: ≤10: ±0.3mm 10-100: ±0.5mm		Date	Name	<h1>MERP11-15120B</h1>
		07/08	dr	
			<b>knitter-switch</b>	<h2>30 15 24</h2>
Modifications	Date	Name		Page 2/2