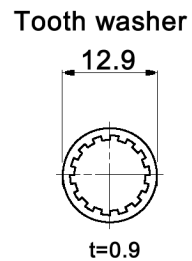
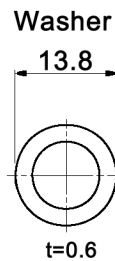
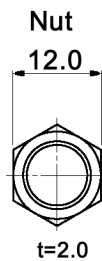
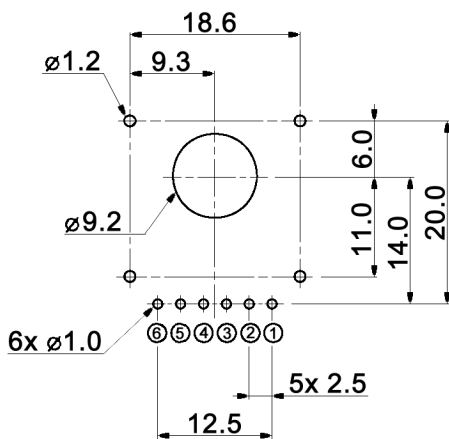
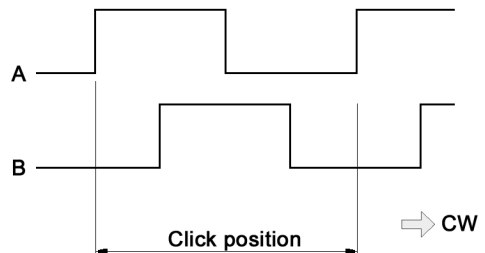


MOUNTING PARTS

MOUNTING HOLE DETAIL

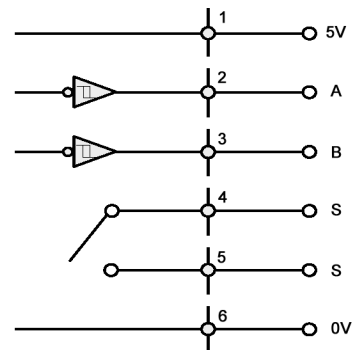


OUTPUT PHASES



Click positions are on the bottom level of output A and B.

OUTPUT CIRCUITRY



Specifications:

Power supply:	5 V DC, 20 +/-10 mA
Insulation resistance:	100MOhm min. at 250V DC
Dielectric strength:	300V AC for 1 minute
Operating temperature:	-10°C to +50°C
Storage temperature:	-20°C to +80°C
Electrical life:	1 000 000 cycles min.
Soldering conditions:	280°C, 3sec.
Resolution:	24 pulses / turn
Detent:	24 detents / turn
Rotational torque:	4.5 +/-2mN.m
Frequency response:	100Hz max.
Switch:	Rating: 0.1-10mA, 12V DC
	Contact resistance: 100hm max.
	Operating force: 4 +/-2N
	Travel: 0.3 +/-0.05mm

Compliance: RohS III (2015/863/EU)

Tolerances: under to 10: ±0.3mm over 10 to 100: ±0.5mm	Date 12/23	Name dr
Modifications	Date	Name

MEOP19VG24CR21-MTFM

knitter-switch

30 52 83

Page

1/1