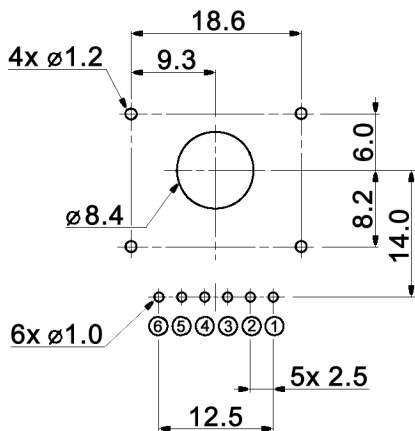
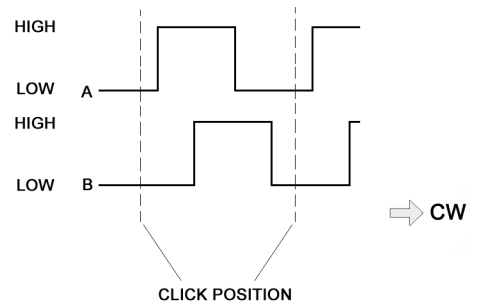


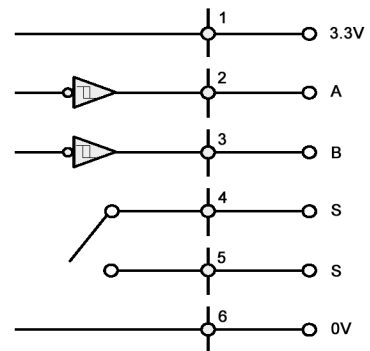
**MOUNTING HOLE DETAIL**



**OUTPUT PHASES**



**OUTPUT CIRCUITRY**



**Specifications:**

- Power supply: 20mA +/-10mA, 3.3V +/-5%
- Insulation resistance: 100MOhm min. at 250V DC
- Dielectric strength: 300V AC for 1 minute
- Operating temperature: -10°C to +50°C
- Storage temperature: -20°C to +80°C
- Electrical life: 1 000 000 cycles min.
- Soldering conditions: 280°C, 3sec.
- Resolution: 24 pulses / turn
- Detent: 24 detents / turn
- Rotational torque: 40.8 +/-20.4gf.cm (4 +/-2mN.m)
- Switch: Rating: 0.1-10mA, 12V DC  
Contact resistance: 100hm max.  
Operating force: 559 +/-204gf (5.5 +/-2N)  
Travel: 0.3 +/-0.05 mm

Compliance: RohS II (2011/65/EU)

Tolerances: under to 10: ±0.3mm over 10 to 100: ±0.5mm	Date 02/17	Name dr	<b>MEOP 19 VGP-24C-M2F22-PF-3F</b>
			<b>30 37 64</b>
			Page 1/1
Modifications	Date	Name	<b>knitter-switch</b>