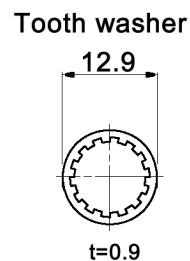
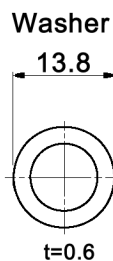
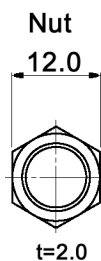
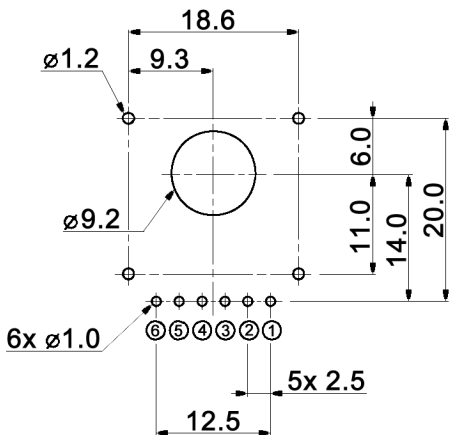
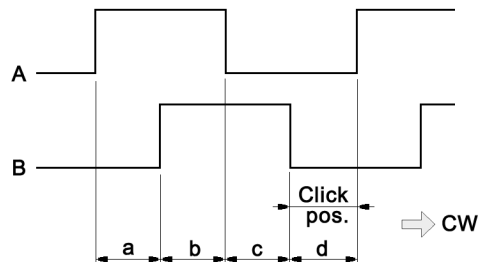


**MOUNTING PARTS**

**MOUNTING HOLE DETAIL**

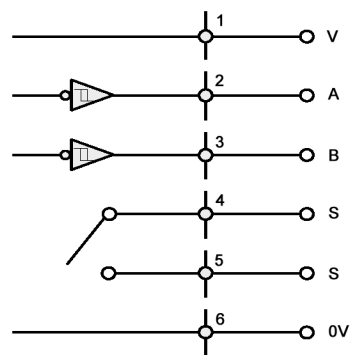


**OUTPUT PHASES**



a, b, c, d ≥ 100µsec.  
Click positions are on the bottom level of output A and B.

**OUTPUT CIRCUITRY**



**Specifications:**

- Power supply: 3.3-5V DC, 10mA max.
- Insulation resistance: 100MOhm min. at 250V DC
- Dielectric strength: 300V AC for 1 minute
- Operating temperature: -10°C to +50°C
- Storage temperature: -20°C to +80°C
- Electrical life: 1 000 000 cycles min.
- Soldering conditions: 280°C, 3sec.
- Resolution: 24 pulses / turn
- Detent: 24 detents / turn
- Rotational torque: 45.9 +/-20.4gf.cm (4.5 +/-2mN.m)
- Frequency response: 100Hz max.
- Switch: Rating: 0.1-10mA, 12V DC  
Contact resistance: 10Ohm max.  
Operating force: 407 +/-204gf (4 +/-2N)  
Travel: 0.3 +/-0.05mm

Tolerances: under to 10: ±0.3mm over 10 to 100: ±0.5mm	Date	Name
	04/11	dr

**MEOP 19 VG-24C-F21-MTFM2**

**knitter-switch**

**30 23 70**

Page

1/1

Modifications	Date	Name
---------------	------	------