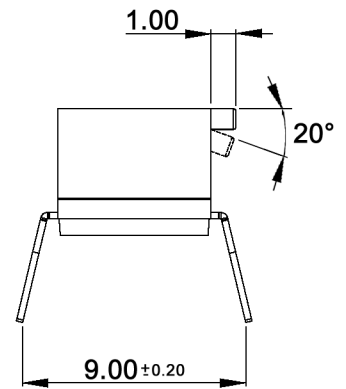
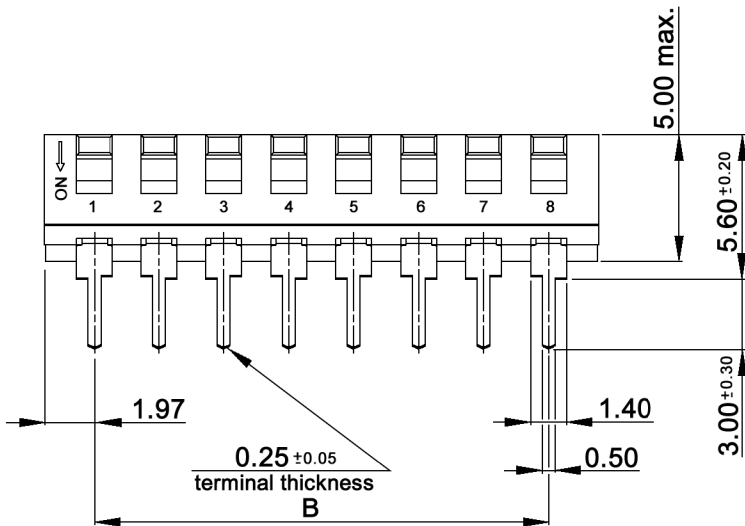
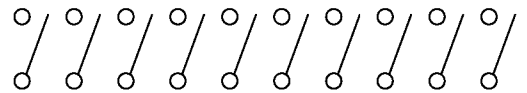
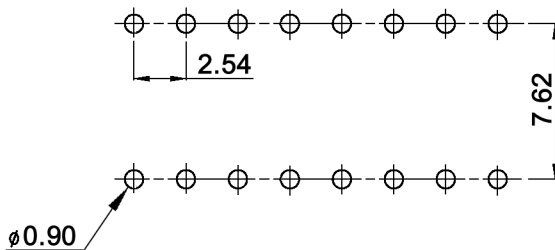


CIRCUIT DIAGRAM



P.C.B. LAYOUT



Prod. No.	No. of pos.	A	B
DBP 8102	2	6.48	2.54
DBP 8104	4	11.56	7.62
DBP 8106	6	16.64	12.70
DBP 8108	8	21.72	17.78
DBP 8110	10	26.80	22.86



Tolerances: ±0.20mm	Date	Name
	04/09	dr
Operating temperature	06/10	dr
Modifications	Date	Name

DBP 8100

30 17 83

Page

1/2

knitter-switch

Specifications:

Contact rating: 100mA, 50V DC
 switching: 25mA, 24V DC
 Contact resistance: 100mOhm max.
 Insulation resistance: 100MOhm min. at 500V DC for 1 minute +/-5sec.
 Dielectric strength: 100V AC (50/60Hz) for 1 minute
 Operating temperature: -40°C to +85°C
 Storage temperature: -40°C to +85°C
 Mechanical life: 2 000 cycles
 Operating force: 800gf max.
 Soldering conditions: wave soldering: 260 +/-5°C, 5sec.; pre-heat: 100°C, 60sec.
 Material: Actuator: high-temp. thermoplastic LCP, molded white
 Contact: copper, min. 0.075µm gold plated over min. 0.4µm nickel
 Base / cover: high-temp. thermoplastic nylon UL94V-0, molded black
 Terminal: brass, min. 0.025µm gold plated over min. 0.4µm nickel



Tolerances: ±0.20mm			Date	Name	DBP 8100	30 17 83	Page
			04/09	dr			
			knitter-switch				2/2
Modifications	Date	Name					