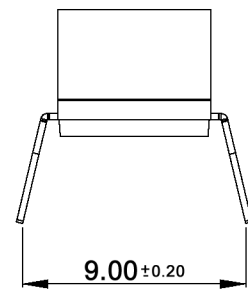
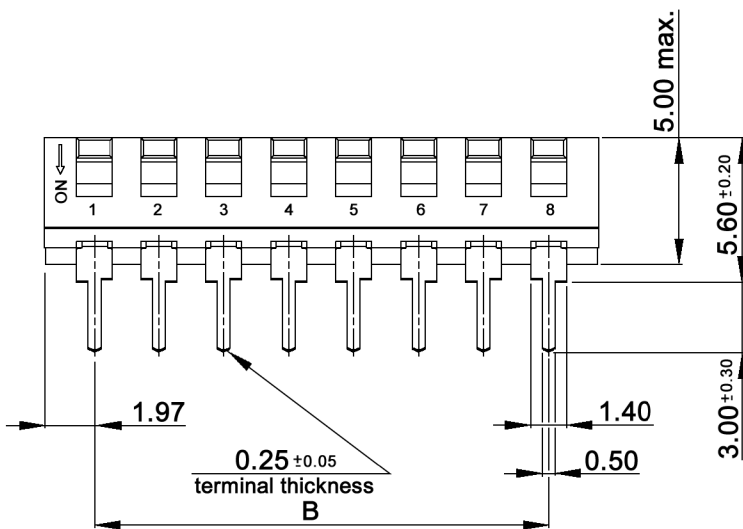
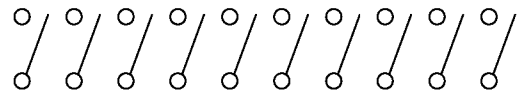
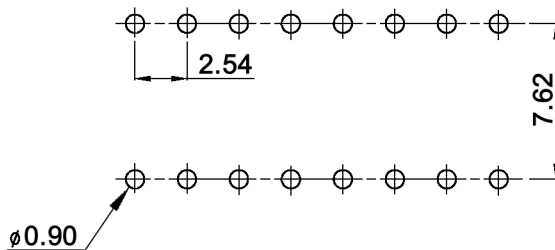


CIRCUIT DIAGRAM



P.C.B. LAYOUT



Prod. No.	No. of pos.	A	B
DBP 8002	2	6.48	2.54
DBP 8004	4	11.56	7.62
DBP 8006	6	16.64	12.70
DBP 8008	8	21.72	17.78
DBP 8010	10	26.80	22.86



Tolerances: ±0.20mm	Date	Name
	04/09	dr
Operating temperature	06/10	dr
Modifications	Date	Name

**DBP 8000**

**30 17 82**

Page

1/2

**knitter-switch**

Specifications:

Contact rating: 100mA, 50V DC  
 switching: 25mA, 24V DC  
 Contact resistance: 100mOhm max.  
 Insulation resistance: 100MOhm min. at 500V DC for 1 minute +/-5sec.  
 Dielectric strength: 100V AC (50/60Hz) for 1 minute  
 Operating temperature: -40°C to +85°C  
 Storage temperature: -40°C to +85°C  
 Mechanical life: 2 000 cycles  
 Operating force: 800gf max.  
 Soldering conditions: wave soldering: 260 +/-5°C, 5sec.; pre-heat: 100°C, 60sec.  
 Material: Actuator: high-temp. thermoplastic LCP, molded white  
 Contact: copper, min. 0.075µm gold plated over min. 0.4µm nickel  
 Base / cover: high-temp. thermoplastic nylon UL94V-0, molded black  
 Terminal: brass, min. 0.025µm gold plated over min. 0.4µm nickel



Tolerances: ±0.20mm			Date	Name	<b>DBP 8000</b>	<b>30 17 82</b>	Page	
			04/09	dr			<b>knitter-switch</b>	<b>2/2</b>
Modifications	Date	Name						