



Dual-in-line Switches

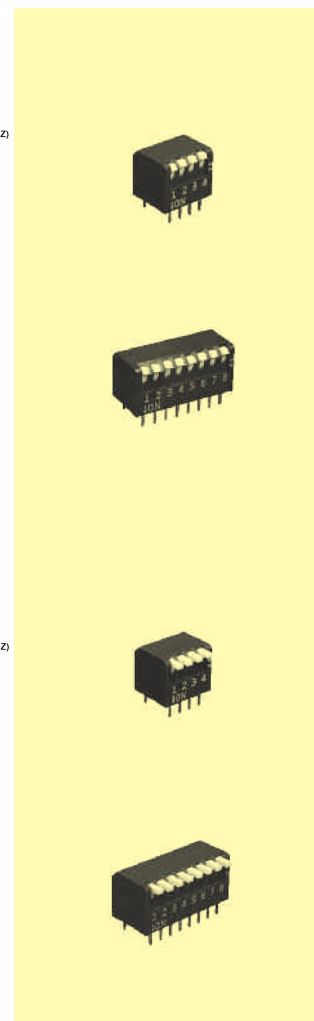
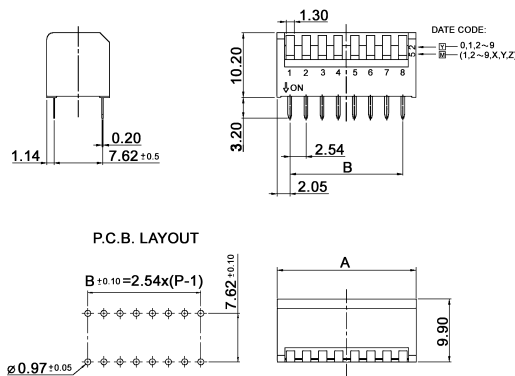
Specifications:

Contact rating:	24 V DC, 25 mA / 6 V DC, 100 mA
Contact resistance:	< 50 mΩ
Insulation resistance:	> 100 MΩ at 500 V DC
Dielectric strength:	500 V, 50 Hz for the duration of 1 minute
Operating temperature:	-40 °C to +85 °C
Mechanical life:	minimum 2 000 operations per pole
Material:	PBT meets UL 94 V-0
Contacts:	gold-plated over nickel
Construction:	case sealed; Series DBP 2000 N lever recessed
Mounting:	on pc-board
Slide position:	OFF
Soldering conditions:	wave-soldering – max.: 5 sec, 260 °C

Models:

Series DBP 2000 N

Type	Poles	Length (A)
DBP 2002 N	2	6.64 mm
DBP 2003 N	3	9.18 mm
DBP 2004 N	4	11.72 mm
DBP 2005 N	5	14.26 mm
DBP 2006 N	6	16.80 mm
DBP 2007 N	7	19.34 mm
DBP 2008 N	8	21.88 mm
DBP 2009 N	9	24.42 mm
DBP 2010 N	10	26.96 mm
DBP 2012 N	12	32.04 mm



Series DBP 2100 N

Type	Poles	Length (A)
DBP 2102 N	2	6.64 mm
DBP 2103 N	3	9.18 mm
DBP 2104 N	4	11.72 mm
DBP 2105 N	5	14.26 mm
DBP 2106 N	6	16.80 mm
DBP 2107 N	7	19.34 mm
DBP 2108 N	8	21.88 mm
DBP 2109 N	9	24.42 mm
DBP 2110 N	10	26.96 mm
DBP 2112 N	12	32.04 mm

