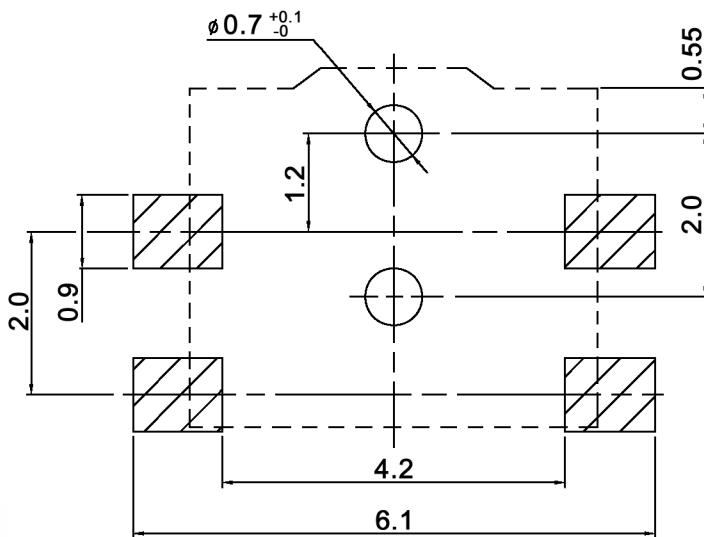


P.C.B. LAYOUT
(VIEW FROM THE DIRECTION A)



Compliance: RohS II (2011/65/EU)

Tolerances: ±0.2mm			Date	Name
			11/15	dr
Operating temperature	01/17	dr	knitter-switch	
Modifications	Date	Name		

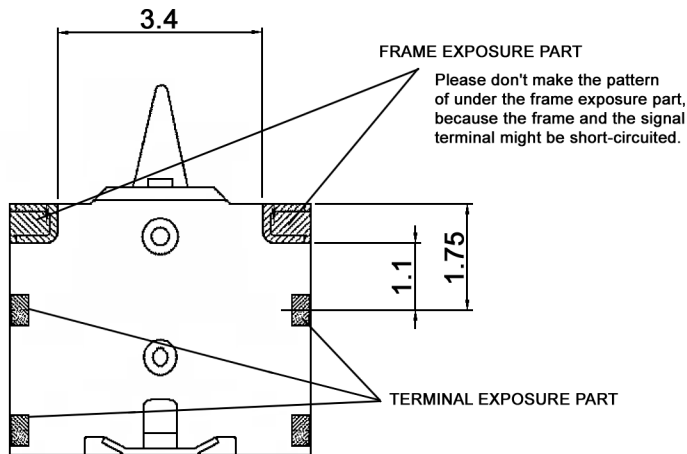
DTS 302 CP-RT-1

30 34 67

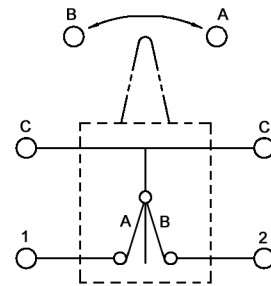
Page

1/2

THE REVERSE SIDE OF CASE



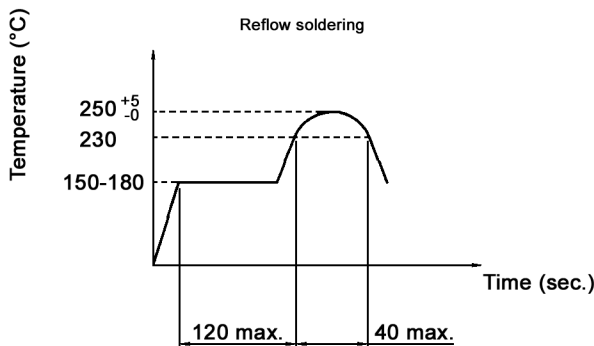
CIRCUIT DIAGRAM



Specifications:

- Contact rating:** 10mA, 5V DC
50mA, 20V DC (electrical life reduced to 100 000 cycles)
50µA, 3V DC min.
- Contact resistance:** 500mOhm max.
- Insulation resistance:** 100MOhm min. at 100V DC for 1 minute
- Dielectric strength:** 100V AC (50/60Hz) for 1 minute
- Operating temperature:** -20°C to +60°C
- Electrical life:** 1 000 000 cycles
- Operating force:** 30gf max.
- Material:** Case / cam: PPA, black
Contact plate: C5210, silver plated
Terminal: C5191, silver plated
Cover: SUS, washing
Lever: LCP, dark grey

Soldering conditions:



Compliance: RohS II (2011/65/EU)

Tolerances: ±0.2mm	Date	Name	DTS 302 CP-RT-1	30 34 67	Page
	11/15	dr			
			knitter-switch		
Modifications	Date	Name			2/2