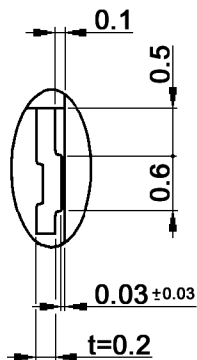
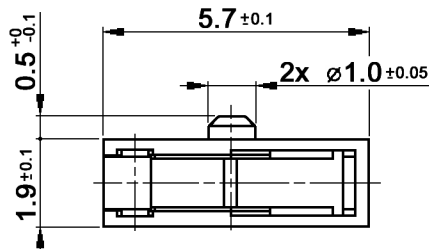
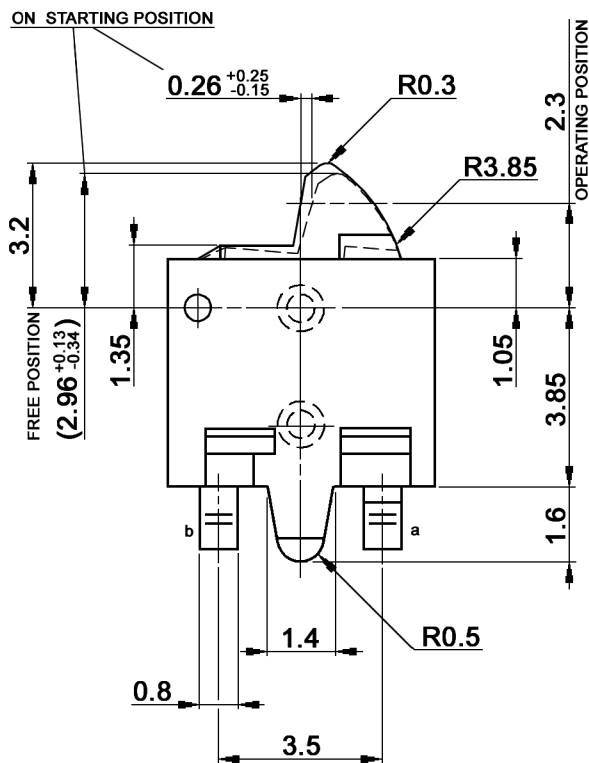
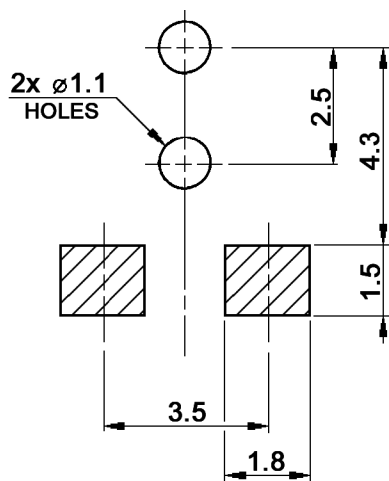
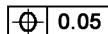


DETAIL P



P.C.B. LAND DIMENSION



CIRCUIT DIAGRAM



Compliance: RohS III (2015/863/EU)

Tolerances: up to 10: ±0.2mm above 10-50: ±0.3mm		Date	Name
		03/15	dr

DTS 207 CP R-T-1

Operating temperature	06/24	dr	knitter-switch
Revised	12/21	dr	
Modifications	Date	Name	

30 32 97

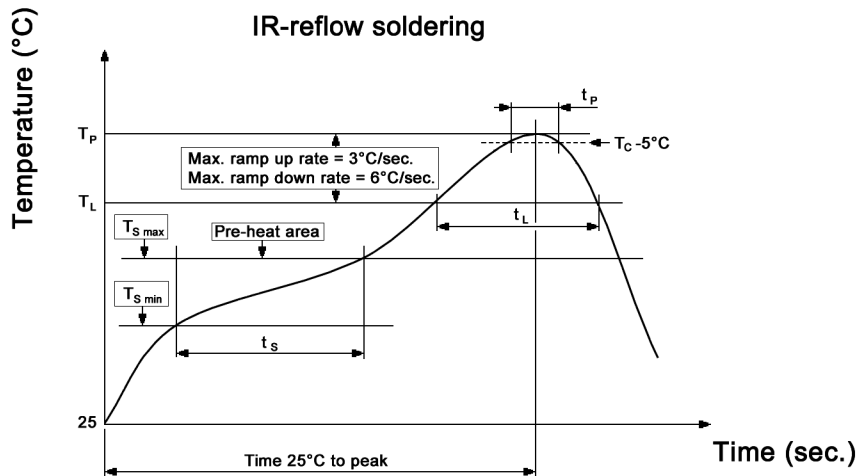
Page

1/3

Specifications:

Contact rating: 10mA, 5V DC (min. 0.1mA)
Contact resistance: 500mOhm max.
Insulation resistance: 100MOhm min. at 500V DC for 1 minute
Dielectric strength: 500V AC (50/60Hz, 2mA) for 1 minute
Operating temperature: -20°C to +70°C
Mechanical life: 100 000 cycles
Operating force: 28gf max.
Material: Contact clip: stainless steel, silver plated
 Terminal: brass strip, silver plated
 Case / slider: PA9T, black

Soldering conditions:



$T_P = 260^\circ\text{C}$
 $t_P = 10\text{sec. max.}$

 $T_L = 217^\circ\text{C}$
 $t_L = 90\text{sec. max.}$

 $T_{S\ max} = 200^\circ\text{C}$
 $T_{S\ min} = 150^\circ\text{C}$
 $t_S = 120\text{sec. max.}$

Compliance: RohS III (2015/863/EU)

Tolerances: up to 10: ±0.2mm above 10-50: ±0.3mm		Date	Name
		03/15	dr
Operating temperature	06/24	dr	knitter-switch
Revised	12/21	dr	
Modifications	Date	Name	

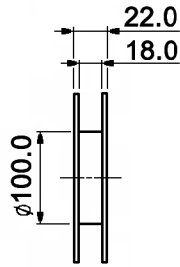
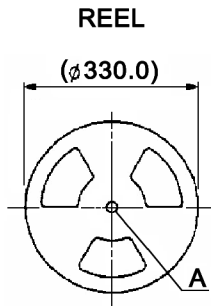
DTS 207 CP R-T-1

30 32 97

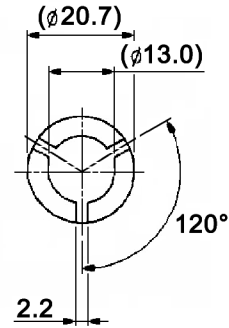
Page

2/3

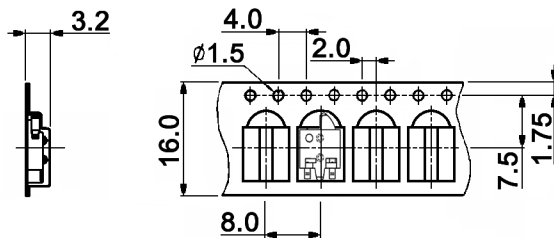
Packaging:



DETAIL A



CARRIER TAPE



COVER TAPE



Packaging unit: 2500 pcs. / reel

Compliance: RohS III (2015/863/EU)

Tolerances: up to 10: \pm 0.2mm above 10-50: \pm 0.3mm	Date	Name
	03/15	dr
Operating temperature	06/24	dr
Revised	12/21	dr
Modifications	Date	Name

DTS 207 CP R-T-1

knitter-switch

30 32 97

Page

3/3