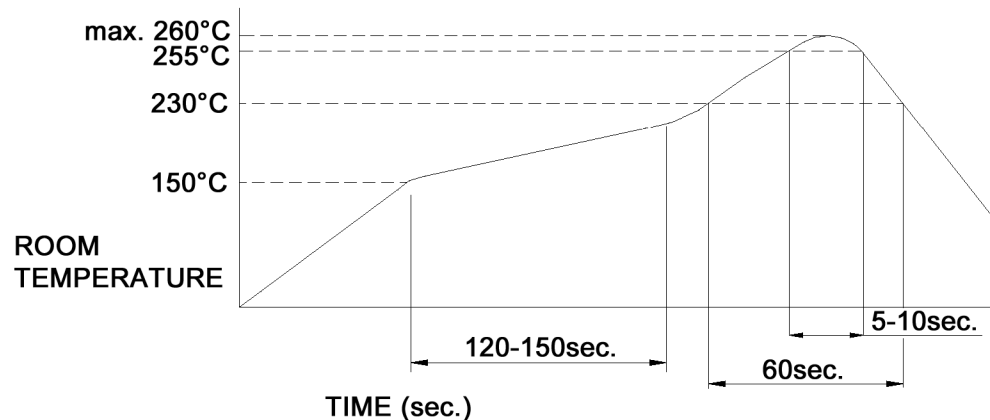


Specifications:

Contact rating: 100mA, 3.6V DC to 10mA, 5V DC
 Contact resistance: 1Ohm max.
 Insulation resistance: 100MOhm min. at 100V DC for 1 minute
 Dielectric strength: 100V AC (50Hz or 60Hz) for 1 minute
 Operating temperature: -40°C to +85°C
 Storage temperature: -40°C to +85°C
 Operating force: 40gf max.
 Mechanical life: 100 000 cycles min.
 Stop strength: 1kg for 60sec.
 Material: Cover: nickel silver
 Stem / base: high-temp. thermoplastic PA9T, black
 Contact: alloy copper, gold plated
 Terminal: brass, silver plated

Soldering conditions:

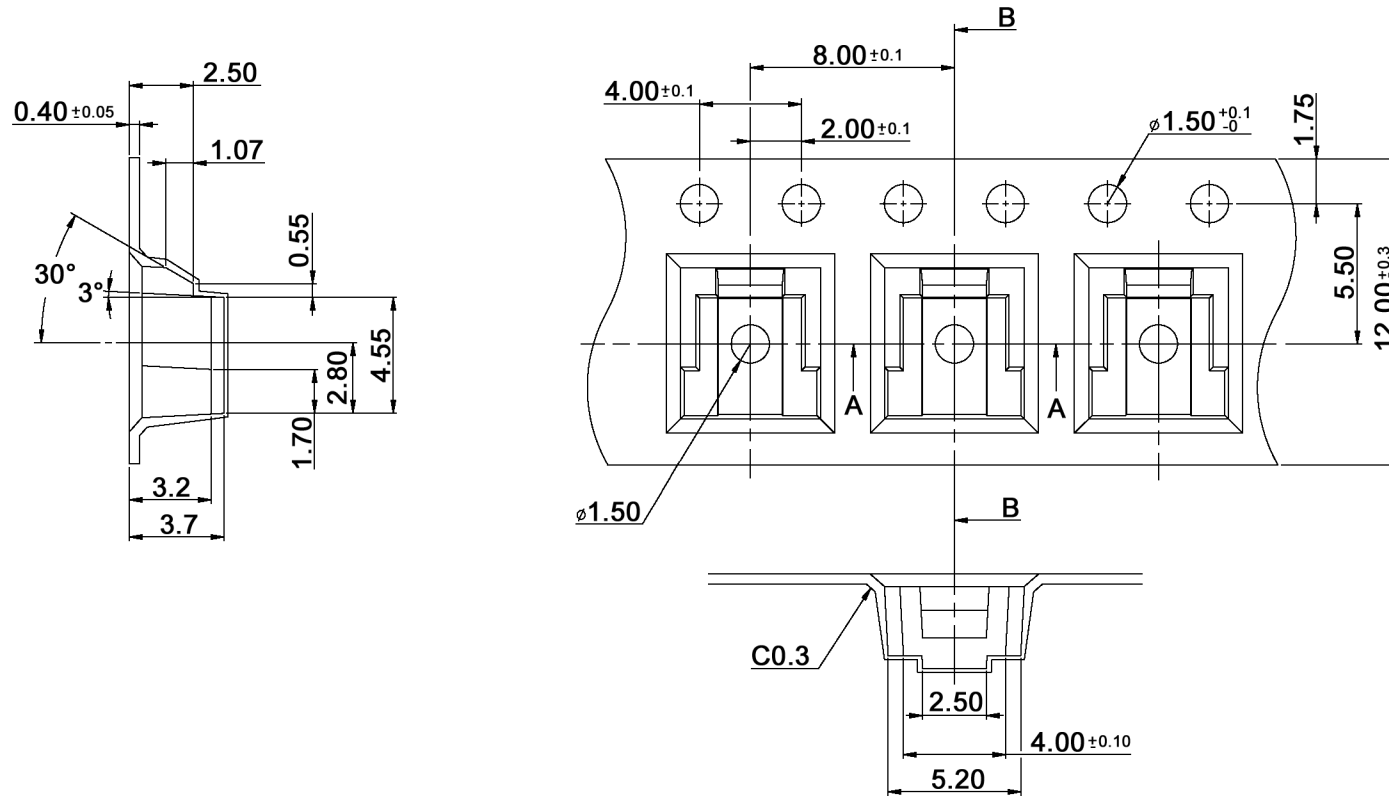


Manual soldering: max. 350°C; max. 5sec.

Compliance: RohS II (2011/65/EU)

| | | | | | |
|--------------------------|-------|------|-----------------------|------|---------------------|
| Tolerances: max. ±0.20mm | | | Date | Name | DTS 205 CP-T |
| | | | 07/06 | dr | |
| Dimension | 08/18 | dr | | | |
| Packaging | 02/16 | dr | | | |
| Specifications | 05/15 | dr | | | |
| Stop strength | 04/15 | dr | knitter-switch | | 30 09 29 |
| Rename | 05/14 | dr | | | |
| Contact rating | 07/08 | dr | | | |
| Modifications | Date | Name | | | Page |
| | | | | | 2/3 |

Packaging:



Material: PS black, thickness: 0.35 +/-0.05mm
 Compliance: RohS II (2011/65/EU)

| | | | | | |
|--------------------------------|-------|------|-----------------------|------|-----------------------|
| Tolerances: max. ± 0.10 mm | | | Date | Name | <h1>DTS 205 CP-T</h1> |
| | | | 07/06 | dr | |
| Dimension | 08/18 | dr | | | |
| Packaging | 02/16 | dr | | | |
| Specifications | 05/15 | dr | | | |
| Stop strength | 04/15 | dr | knitter-switch | | <h2>30 09 29</h2> |
| Rename | 05/14 | dr | | | |
| Contact rating | 07/08 | dr | | | |
| Modifications | Date | Name | | | Page 3/3 |