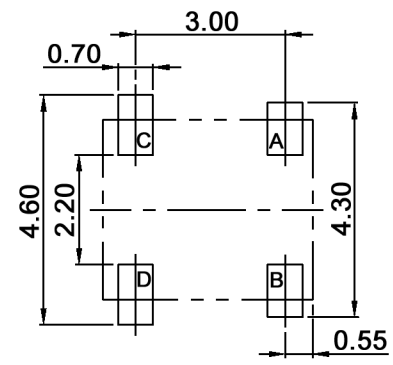
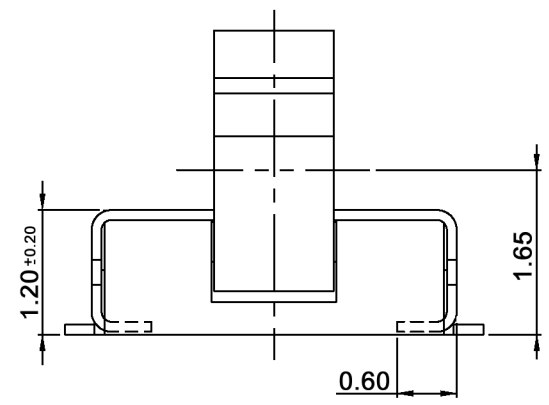
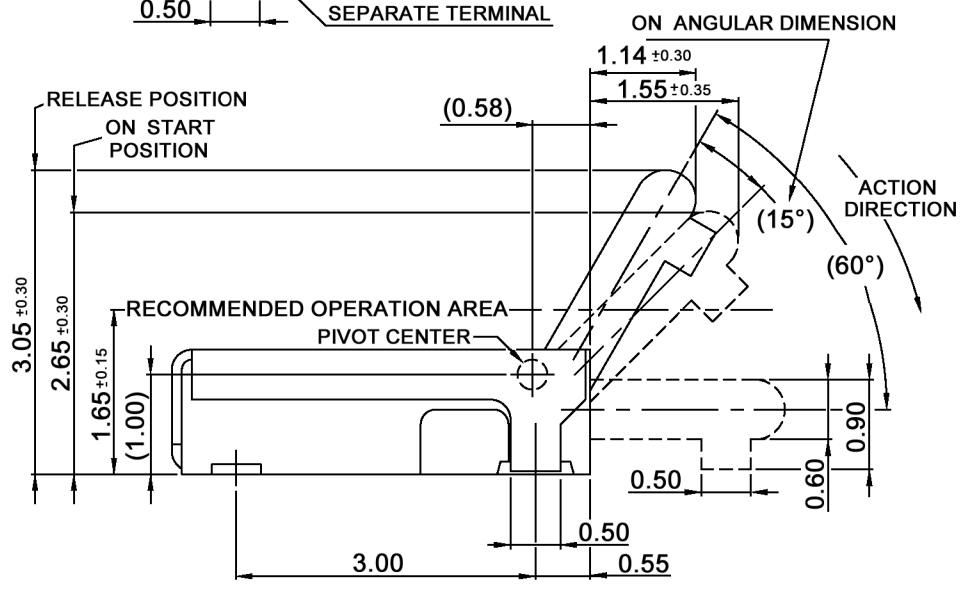
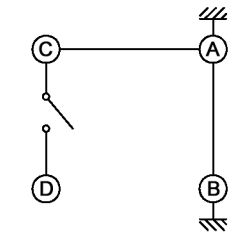


P.C.B. LAYOUT



CIRCUIT DIAGRAM



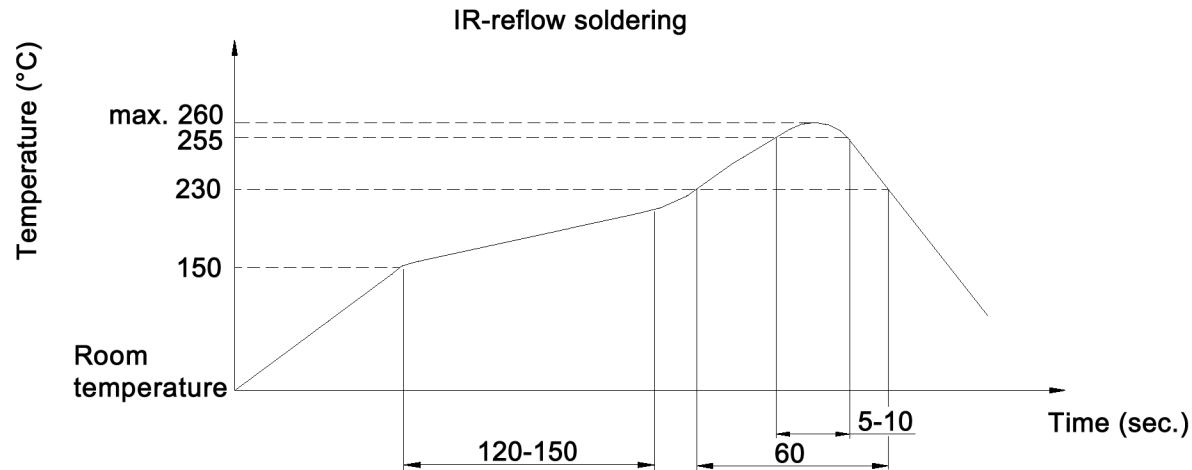
Compliance: RohS II (2011/65/EU)

Tolerances: max. ±0.20mm			Date	Name	DTS 205 C-T
			05/18	dr	
					knitter-switch
Modifications		Date	Name	30 40 73	
				Page	1/2

Specifications:

Contact rating: 100mA, 3.6V DC to 10mA, 5V DC
Contact resistance: 1Ohm max.
Insulation resistance: 100MOhm min. at 100V DC for 1 minute
Dielectric strength: 100V AC (50Hz or 60Hz) for 1 minute
Operating temperature: -40°C to +85°C
Storage temperature: -40°C to +85°C
Operating force: 40gf max.
Mechanical life: 100 000 cycles min.
Stop strength: 1kg for 60sec.
Material: Cover: nickel silver
 Stem / base: high-temp. thermoplastic PA9T, black
 Contact: alloy copper, gold plated
 Terminal: brass, silver plated

Soldering conditions:



Compliance: RohS II (2011/65/EU)

Tolerances: max. ±0.20mm		Date	Name	DTS 205 C-T
		05/18	dr	
		knitter-switch		30 40 73
				Page
				2/2
Modifications	Date	Name		