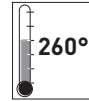


Detector Switches



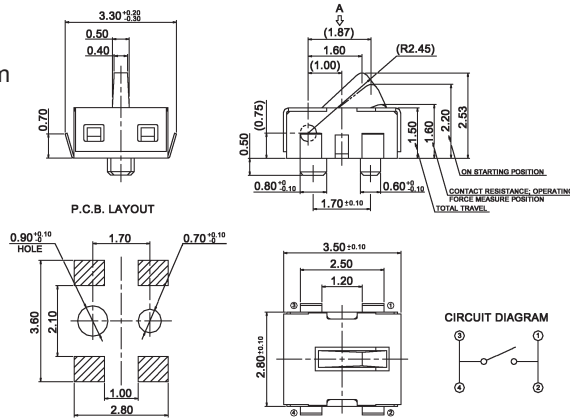
Specifications:

Contact rating:	5 V DC, 1 mA (DTS 226 C-T: 10 mA)
Contact resistance:	< 2 Ω
Insulation resistance:	> 100 MΩ
Dielectric strength:	100 V, 50 Hz for the duration of 1 minute
Operating temperature:	-40 °C to +85 °C
Operating force:	< 0.5 N
Mechanical life:	minimum 100 000 operations (DTS 226 C-T: 50 000)
Material:	Contacts: phosphor-bronze, silver-plated Terminals: brass (DTS 226 C-T: phosphor bronze), silver-plated Case and actuator: LCP

Models: Switching functions

DTS 201 C P-T

off – mom

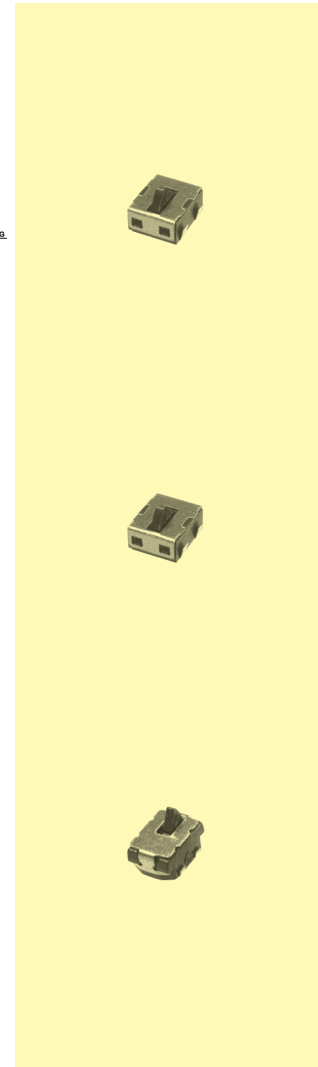
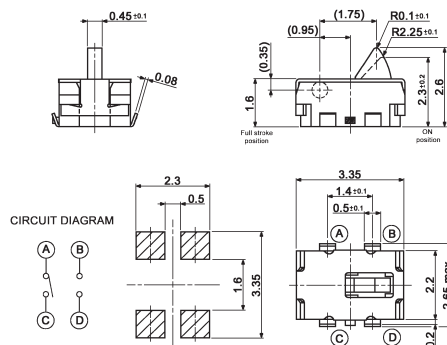


DTS 01

off – mom as above, but without posts

DTS 226 C-T

off – mom



Packing: 2600 pcs/reel (DTS 226 C-T: 3000 pcs/reel)