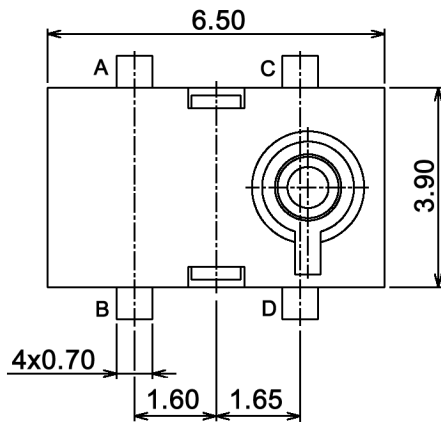
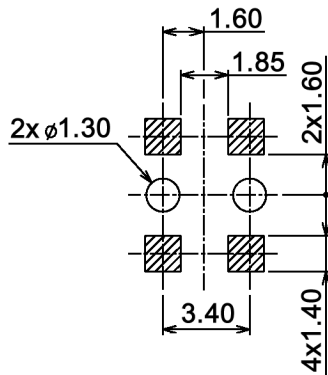
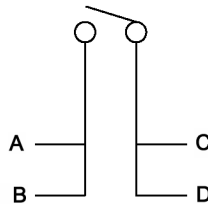


P.C.B. LAYOUT



CIRCUIT DIAGRAM



Compliance: RohS III (2015/863/EU)

Tolerances: $\pm 0.20\text{mm}$	Date	Name
	06/07	dr
Specifications	06/20	dr
Rename	11/13	dr
Modifications	Date	Name

**DTS 101 CPT-1**

**30 11 56**

Page

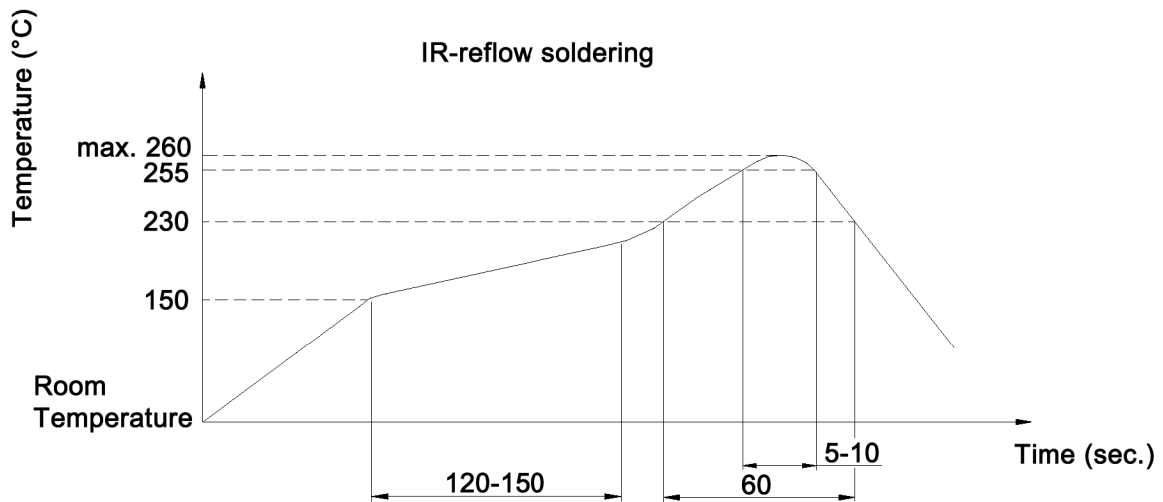
1/2

**knitter-switch**

**Specifications:**

**Contact rating:** 5mA, 5V DC  
**Contact resistance:** 500mOhm max.  
**Insulation resistance:** 100MOhm min. at 250V DC for 1 minute +/-5sec.  
**Dielectric strength:** 250V AC (50/60Hz) for 1 minute  
**Operating temperature:** -40°C to +85°C  
**Storage temperature:** -40°C to +85°C  
**Mechanical life:** 50 000 cycles  
**Operating force:** 35gf max.  
**Material:** Stem: high-temp. thermoplastic LCP UL94V-0  
 Cover: high-temp. thermoplastic PA9T UL94V-0  
 Contact: stainless steel, silver cladding  
 Terminal: phosphor bronze, silver plated  
 Base: high-temp. thermoplastic LCP UL94V-0, molded black

**Soldering conditions:**



Compliance: RohS III (2015/863/EU)

Tolerances: ±0.20mm			Date	Name	<b>DTS 101 CPT-1</b>
			06/07	dr	
Specifications	06/20	dr	<b>knitter-switch</b>		<b>30 11 56</b>
Rename	11/13	dr			
Modifications	Date	Name			2/2