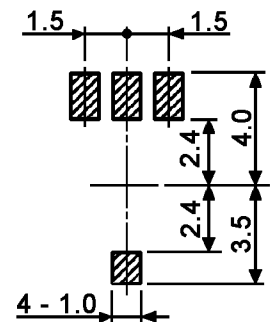
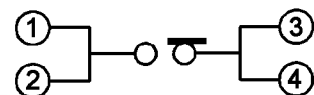


P.C.B. LAYOUT



CIRCUIT DIAGRAM



Specifications:

- Contact rating: 0.1A, 30V DC
- Contact resistance: 500mOhm max.
- Insulation resistance: 100MOhm min. at 100V DC for 1 minute
- Dielectric strength: 100V AC (50/60Hz, 2mA) for 1 minute
- Operating temperature: -40°C to +85°C
- Mechanical life: 50 000 cycles
- Electrical life: 50 000 cycles
- Operating force: 30 +/-10gf
- Heat resistance: 85°C +/-2°C for 48 hours
- Cold resistance: -40°C +/-3°C for 48 hours
- Damp heat test: 40°C +/-2°C and 90...95% relative humidity for 96 hours
- Change of temperature test: 5 cycles of -10°C +/-3°C and 70°C +/-2°C
- Soldering conditions: 260 +/-5°C, 10 +/-1.0sec.
- Material: Clip: phosphor bronze, silver plated
Terminal: brass strip, silver plated
Case / cover / slider: PA46, black
Spring: SUS, silver plated

Compliance: RohS III (2015/863/EU)

Tolerances: up to 10: ±0.2mm above 10-50: ±0.3mm	Date	Name
	08/08	dr
Coplanarity	02/20	dr
Environmental	07/19	dr
Operating temperature	09/16	dr
Electrical life	07/16	dr
Modifications	Date	Name

DTS 06 A1 CT

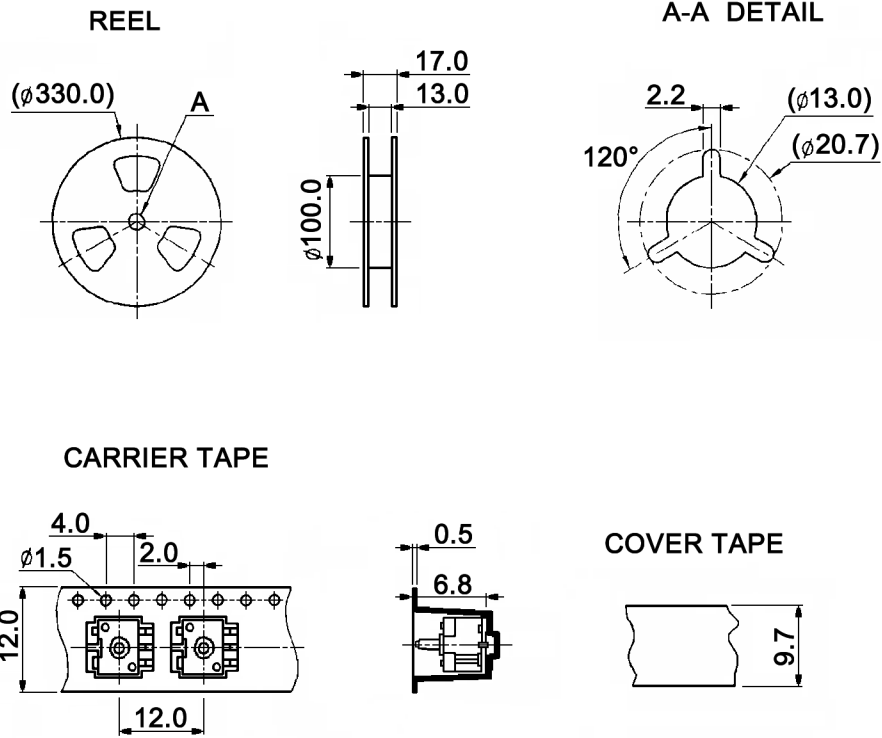
knitter-switch

30 15 54

Page

1/2

Packaging:



Packaging unit: 700 pcs / reel
Compliance: RohS III (2015/863/EU)

Tolerances: up to 10: $\pm 0.2\text{mm}$ above 10-50: $\pm 0.3\text{mm}$		Date	Name	DTS 06 A1 CT
		08/08	dr	
Coplanarity	02/20	dr		30 15 54
Environmental	07/19	dr		
Operating temperature	09/16	dr		
Electrical life	07/16	dr	knitter-switch	30 15 54
Modifications	Date	Name		