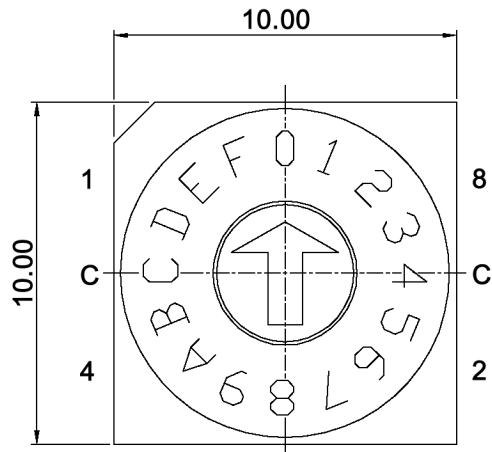
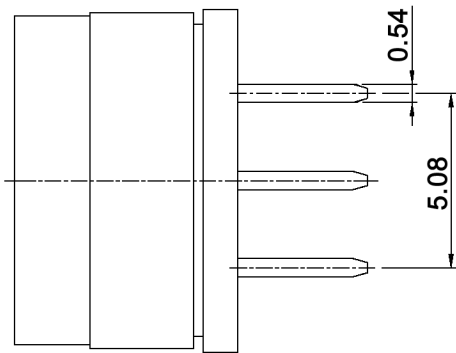
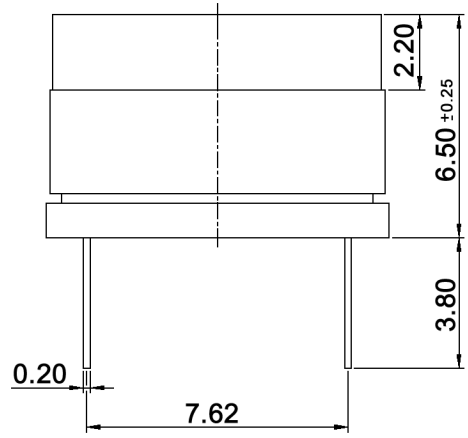
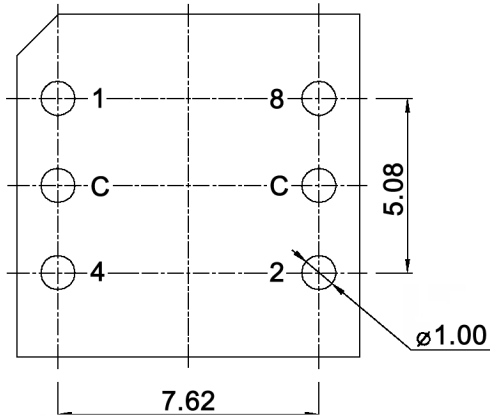


P.C.B. DIMENSION



Specifications:

**Contact rating:** switching: 150mA, 42V DC  
 non-switching: 200mA, 42V DC  
**Contact resistance:** 80mOhm max.  
**Insulation resistance:** 100MOhm min.  
**Mechanical life:** 10 000 cycles  
**Operating force:** 700gf max.  
**Operating temperature:** -40°C to +85°C  
**Storage temperature:** -40°C to +85°C  
**Soldering conditions:** pre-heat: max. 120°C, max. 70sec.  
 wave soldering: max. 260°C, max. 10sec.  
**IP rating:** IP67  
**Material:** Cover: PA66, white  
 O-ring: silicone, black  
 Actuator: POM, ivory  
 PCB: epoxy  
 Base: PA66, black

Terminal / contact: phosphor bronze, min. 0.07µm gold plated over min. 0.1µm nickel

Hexadecimal inverse

	Complement coded			
	C	1	2	4 8
0	●	●	●	●
1	●	●	●	●
2	●	●	●	●
3	●	●	●	●
4	●	●	●	●
5	●	●	●	●
6	●	●	●	●
7	●	●	●	●
8	●	●	●	●
9	●	●	●	●
A	●	●	●	●
B	●	●	●	●
C	●	●	●	●
D	●	●	●	●
E	●	●	●	●
F	●	●	●	●

Compliance: RohS III (2015/863/EU)

Tolerances:	Date	Name	<h1>DRS 60116</h1>	
	02/08	dr		
Material	02/21	dr	<h1>30 13 85</h1>	Page 1/1
Soldering conditions	01/11	dr		
IP rating	07/09	dr		
Operating temperature	11/08	dr		
Modifications	Date	Name		