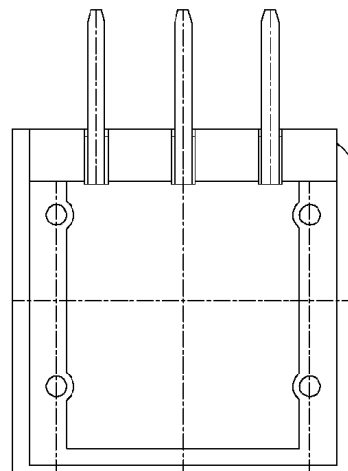
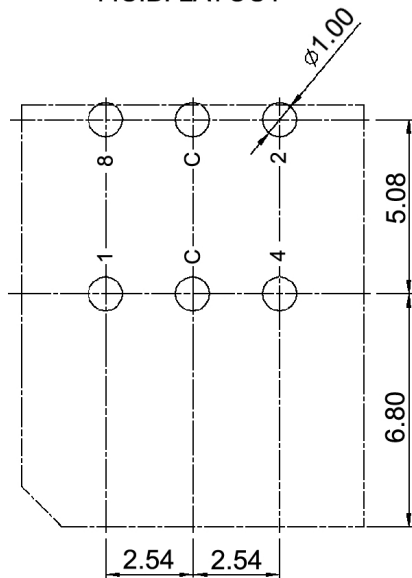


P.C.B. LAYOUT



Compliance: RohS III (2015/863/EU)

Tolerances: $\leq 10\text{mm}$:		Date	Name
$\geq 10\text{mm}$:		08/07	dr
Material	02/21	dr	
Soldering conditions	01/11	dr	
IP rating	06/09	dr	
Operating temperature	11/08	dr	
Temperatures	01/08	dr	
Modifications	Date	Name	

DRR 60110

knitter-switch

30 11 96

Page

1/2

Specifications:

Contact rating: switching: 150mA, 42V DC
 non-switching: 200mA, 42V DC

Contact resistance: 80mOhm max.

Insulation resistance: 100MOhm min.

Mechanical life: 10 000 cycles

Operating force: 700gf max.

Operating temperature: -40°C to +85°C

Storage temperature: -40°C to +85°C

Soldering conditions: pre-heat: max. 120°C, max. 70sec.
 wave soldering: max. 260°C, max. 10sec.

Color of actuator: ivory

IP rating: IP67

Material: Cover: PA66, white
 O-ring: silicone, black
 Actuator: POM, ivory
 PCB: epoxy
 Base: PA66, black
 Terminal / contact: phosphor bronze, min. 0.07µm gold plated
 over min. 0.1µm nickel

BCD inverse

		Complement coded				
		C	1	2	4	8
10 P o s i t i o n s	0	●	●	●	●	●
	1	●		●	●	●
	2	●	●		●	●
	3	●			●	●
	4	●	●	●		●
	5	●		●		●
	6	●	●			●
	7	●				●
	8	●	●	●	●	
	9	●		●	●	

Compliance: RohS III (2015/863/EU)

Tolerances: ≤ 10mm: ≥ 10mm:	Date	Name	DRR 60110	
	08/07	dr		
Material	02/21	dr	30 11 96	knitter-switch
Soldering conditions	01/11	dr		
IP rating	06/09	dr		
Operating temperature	11/08	dr		
Temperatures	01/08	dr		
Modifications	Date	Name		
				Page 2/2