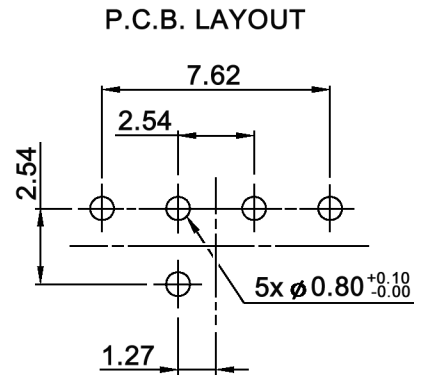


TYPE	CIRCUIT CHARACTERISTIC																
	CODE	POSITION ● ON															
		0	1	2	3	4	5	6	7	8	9	A	B	C	D	E	F
DRR 4016	1	●		●		●		●		●		●		●		●	
	2		●	●			●	●			●	●		●	●		●
	4				●	●	●	●				●	●	●	●		●
	8								●	●	●	●	●	●	●	●	●

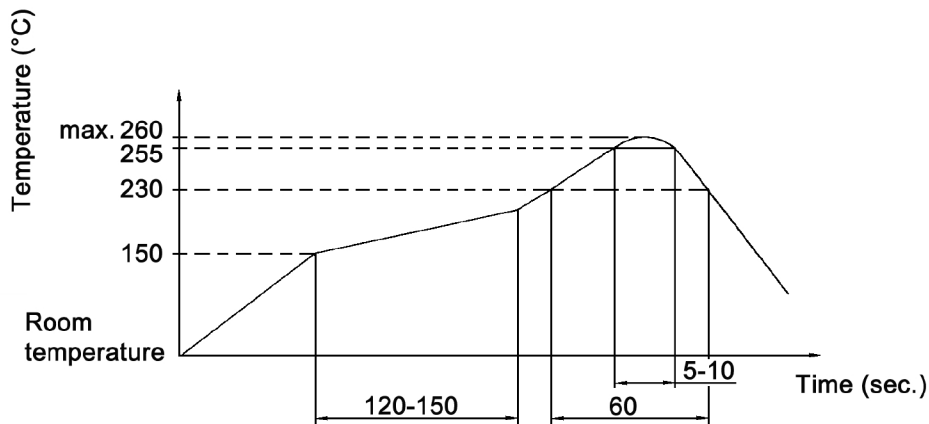


Compliance: RohS II (2011/65/EU)

Tolerances: ±0.20mm		Date	Name	<h1>DRR 4016</h1>
		12/07	dr	
Dimensions	02/09	dr	<b>knitter-switch</b>	<h1>30 13 18</h1>
Specifications	02/09	dr		
Dimensions	07/08	dr		
Operating temperature	04/08	dr		
Modifications	Date	Name		Page 1/2

Specifications:

**Contact rating:** non-switching: 100mA, 50V DC  
 switching: 30mA, 15V DC  
**Contact resistance:** 100mOhm max.  
**Insulation resistance:** 1 000MOhm min. at 250V DC  
**Dielectric strength:** 250V AC for 1 minute  
**Operating temperature:** -40°C to +85°C  
**Mechanical life:** 20 000 cycles min.  
**Operating force:** 250 gf.cm max.  
**Material:** Base / cover: high-temp. thermoplastic nylon UL94V-0,  
 molded black  
 Movable contact: alloy copper, gold plated  
 Actuator: high-temp. thermoplastic nylon UL94V-0,  
 color: yellow  
 O-ring: silicone  
 Spring: stainless steel  
 Terminal: brass, gold plated  
**Soldering conditions:** wave soldering: 260°C, 5sec. max.  
 through hole reflow: 260 +/-5°C, 4-6sec.



Compliance: RohS II (2011/65/EU)

Tolerances: ±0.20mm			Date	Name	<b>DRR 4016</b>
			02/09	dr	
			<b>knitter-switch</b>		<b>30 13 18</b>
Modifications			Date	Name	Page 2/2