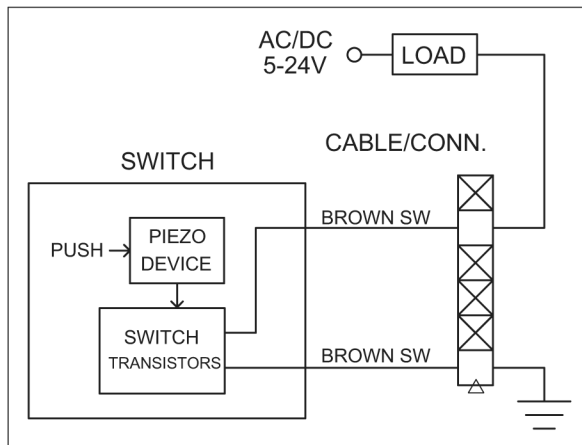
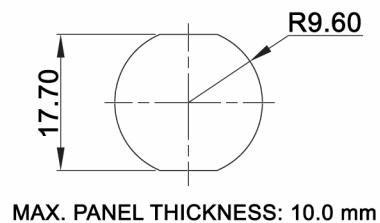


APPLICATION DIAGRAM



PANEL CUT-OUT

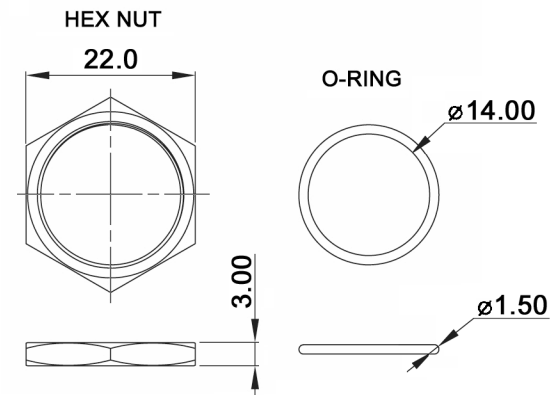


x	Bushing material	y	Wire length
AN	aluminum, natural	(empty)	300 mm
AB	aluminum, black anodized	-150	150 mm
D0	SUS 304		
D3	SUS 316		

Specifications:

Contact rating: 1 A, 5-24 V AC/DC (pulse mode)
Contact resistance: 1 Ohm max.
Pulse duration: 200ms min.
Operating temperature: -20°C to +65°C
Mechanical life: 50 000 000 cycles min.
Material: Bushing: see table "x"
 Sealing: silicone, epoxy
 O-ring: silicone
 Hex nut: brass, nickel plated

HARDWARE



Compliance: RohS III (2015/863/EU)

Tolerances: 0.00: ±0.25mm 0.0: ±0.40mm		Date	Name	PBP 19 xFy
		09/21	dr	
				30 47 07
knitter-switch				Page
Modifications			Date	1/1
			Name	