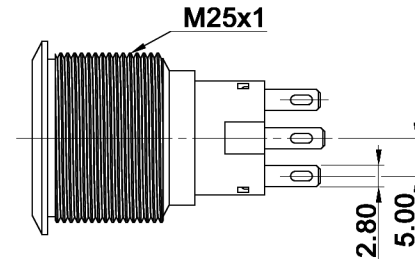
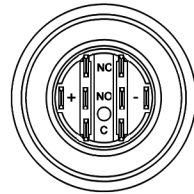
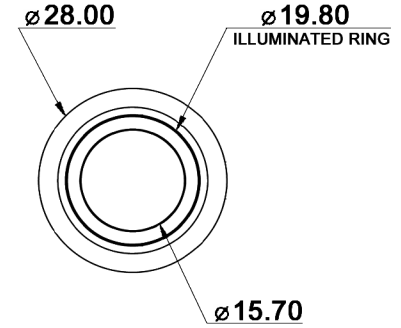
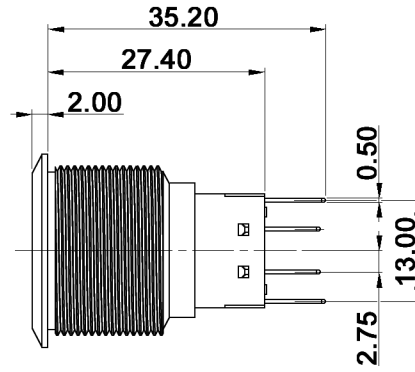
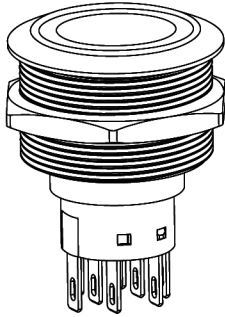
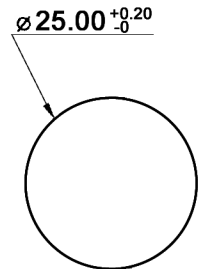


ASSEMBLED VIEW

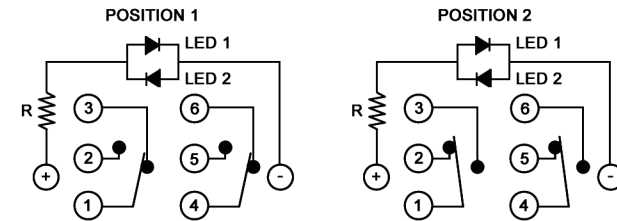


PANEL CUT-OUT



MAX. PANEL THICKNESS: 10mm

SCHEMATIC



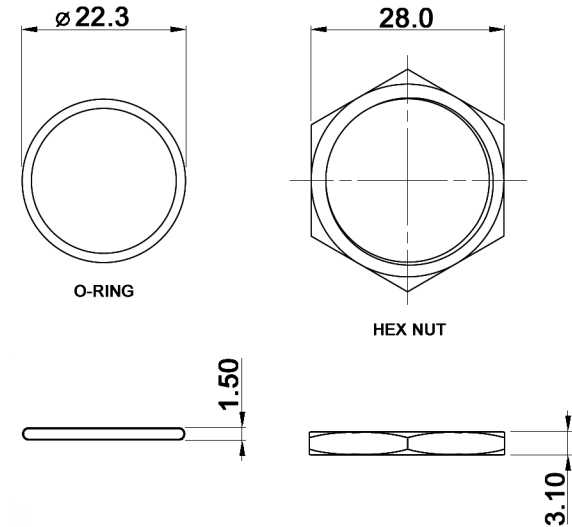
Compliance: RohS III (2015/863/EU)

Tolerances: 0.00: ±0.25mm 0.0: ±0.40mm			Date	Name	<h1>MAV25A0F20ExyJQ</h1>
			04/16	dr	
LED color	10/23	dr	knitter-switch		<h2>30 35 81</h2>
LED color	04/23	dr			
Revised	08/21	dr			
Rename	07/16	dr			Page
Modifications	Date	Name			1/2

Specifications:

Contact rating: 3A, 250V AC; 3A, 28V DC
Contact resistance: 50mOhm max. at 1A, 12V DC
Insulation resistance: 1000MOhm min. at 500V DC
Dielectric strength: 2000V AC (50/60Hz) for 1 minute
Operating temperature: -20°C to +55°C
Mechanical life: 1 000 000 cycles
Electrical life: 50 000 cycles (make and break cycles at full load); 6000 cycles DC
Operating force: 3.5 +/-1N
Switching function: momentary
Travel: 3.2mm
Torque: 5-14Nm
IP protection: IP67
IK class: IK08
Material: Bushing: stainless steel
 Base: PBT (UL94V-0), PC (UL94V-2)
 Actuator: PC, stainless steel
 Inner assembly: POM, PA66
 Spring: steel
 O-ring: silicone
 Contact: brass, silver plated
 Terminal: brass, silver plated
 Hex nut: brass, nickel plated

HARDWARE:



x	LED 1	LED 2	y	LED voltage
1	white	white	0	without resistor
3	red	red	3	3 V
5	yellow	yellow	6	6 V
6	green	green	12	12 V
7	blue	blue	24	24 V
A	red	green	36	36 V
B	red	blue	110	110 V
D	blue	yellow	220	220 V
G	red	yellow		
H	green	yellow		
J	orange	green		
P	blue	green		

Compliance: RohS III (2015/863/EU)

Tolerances: 0.00: ±0.25mm 0.0: ±0.40mm			Date	Name	MAV25A0F20ExyJQ
			04/16	dr	
LED color	10/23	dr	knitter-switch		30 35 81
LED color	04/23	dr			
Revised	08/21	dr			
Rename	07/16	dr			
Modifications	Date	Name			
					Page
					2/2