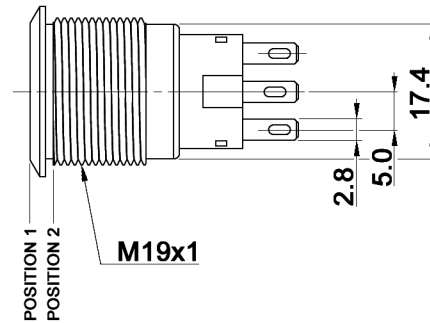
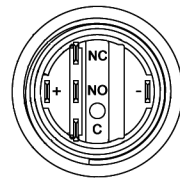
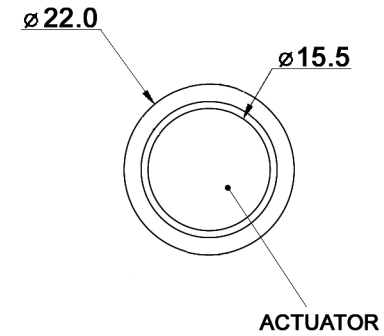
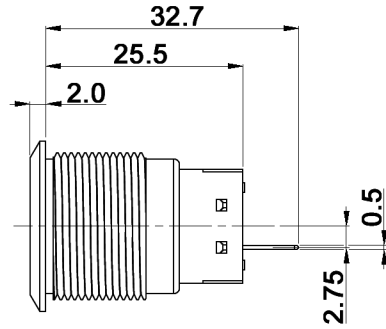
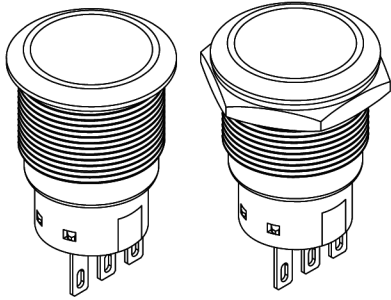
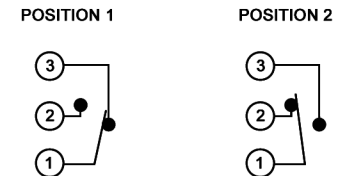


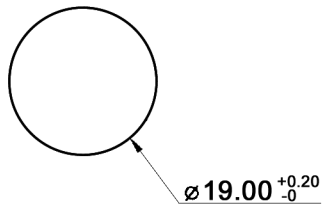
ASSEMBLED VIEW



SCHEMATIC



PANEL CUT-OUT
MAX. PANEL THICKNESS: 10.0mm



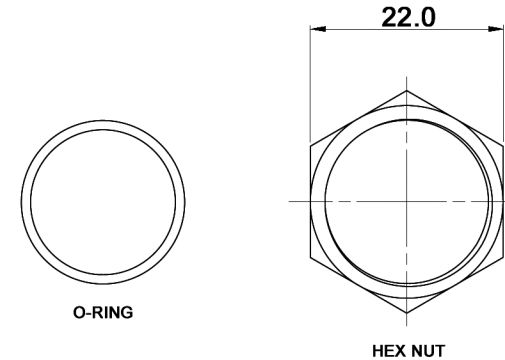
Compliance: RohS III (2015/863/EU)

Tolerances: 0.00: ±0.25mm 0.0: ±0.40mm			Date	Name	<h1>MAV19A0F100JQ</h1>
			06/15	dr	
Panel cut-out	07/21	dr	knitter-switch		<h2>30 33 42</h2>
Rename	02/19	dr			
Modifications	Date	Name			Page 1/2

Specifications:

Contact rating: 3A, 250V AC; 3A, 28V DC
Contact resistance: 50mOhm max. at 1A, 12V DC
Insulation resistance: 1000MOhm min. at 500V DC
Dielectric strength: 2000V AC (50/60Hz) for 1 minute
Operating temperature: -20°C to +55°C
Mechanical life: 1 000 000 cycles
Electrical life: 50 000 cycles (make and break cycles at full load); 6 000 cycles DC
Operating force: 2.5 +/-1N
Soldering conditions: max. 290°C, max. 3sec.
Torque: 5 - 14Nm applied to nut
Switching function: momentary
Travel: 3.2 +/-0.3mm
IP rating: IP67
IK class: IK10
Material: Bushing: stainless steel
 Base: PBT (UL94V-0)
 Housing: PC (UL94V-2)
 Actuator: stainless steel
 Spring: steel
 Sealing / o-ring: silicone
 Terminal / contact: copper, silver plated
 Nut: brass, nickel plated
 Inner assembly: POM

HARDWARE:



Compliance: RohS III (2015/863/EU)

Tolerances: 0.00: ±0.25mm 0.0: ±0.40mm			Date	Name	MAV19A0F100JQ
			06/15	dr	
Panel cut-out	07/21	dr	knitter-switch		30 33 42
Rename	02/19	dr			
Modifications	Date	Name			2/2