

Anti-Vandal Pushbutton Switches waterproof, illuminated



Specifications:

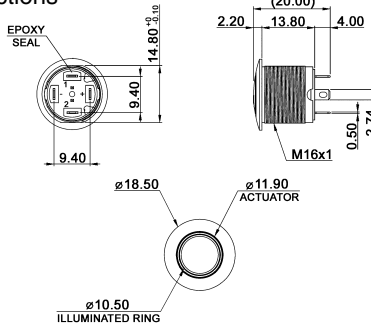
Contact rating:	36 V DC, 2 A
Contact resistance:	<50 mΩ
Insulation resistance:	>1000 MΩ
Dielectric strength:	2000 V, 50 Hz for the duration of 1 minute
Operating temperature:	-20 °C to +70 °C
Mechanical life:	1000 000 operations
Operating force:	4.5 N ± 1.5 N
Protection:	IP 67
Material:	Case, button: aluminum Contacts: silver alloy Nut: nickel plated brass Base: PBT (UL 94 V-0)

Models:

MAV 16 CARE-1-JR-0V

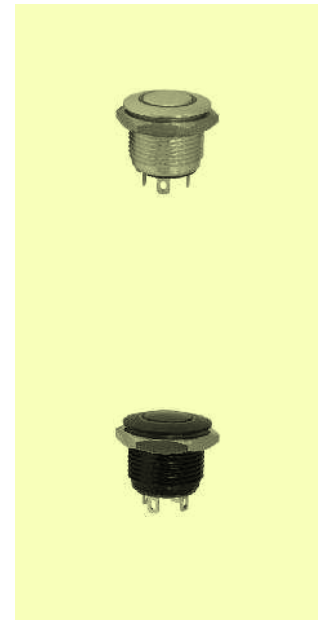
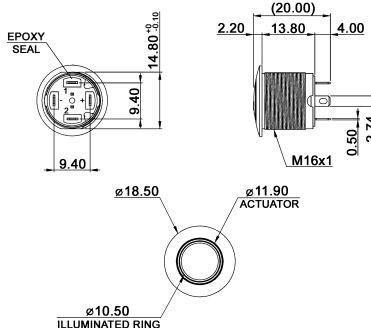
Switching functions

off – mom



MAV 16 CBRE-1-JR-0V

off – mom



Ordering code: MAV 16 - - V

Button style:
 Curved

LED color:
 no LED
 White
 Red
 Yellow
 Green
 Blue

Contact:
 Gold flash over silver

Terminals:
 Solder lugs
 Flying wire 500 mm

Material of button/case:

- Aluminium
- Aluminium, black

Lens style:
 Ring

Resistor for LED:

- Without resistor
- 3 V DC, ca. 20 mA
- 6 V DC, ca. 20 mA
- 12 V DC, ca. 20 mA
- 24 V DC, ca. 20 mA

The LED serial resistor is an external part, in scope of delivery.