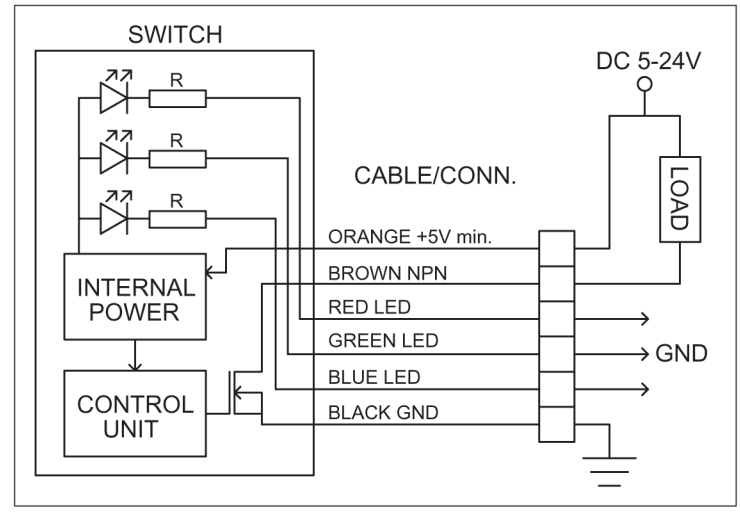
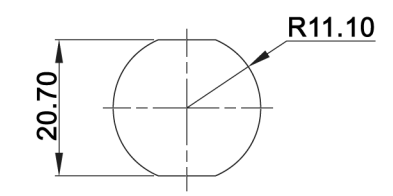


APPLICATION DIAGRAM



PANEL CUT-OUT



MAX. PANEL THICKNESS: 10.0 mm

Compliance: RohS II (2011/65/EU)

Tolerances:	Date	Name
0.00: ±0.25 mm	08/18	dr
0.0: ±0.40 mm		
Modifications	Date	Name

CTK 22 L-A1-F1FB00-3CD101

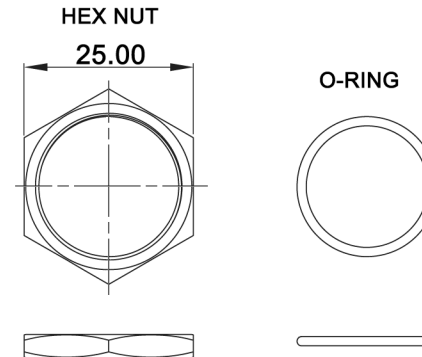
knitter-switch

30 41 32

Specifications:

Contact rating: 1 A, 5-24 V DC
 Contact resistance: 1 Ohm max.
 Operating temperature: -20°C to +65°C
 Mechanical life: 50 000 000 cycles min.
 Type: lock
 Indicator color: red/green/blue
 IP class: IP68
 Material: Bushing: aluminum alloy
 Cap: PC, aluminum alloy
 Sealing: silicone, epoxy
 O-ring: silicone
 Hex nut: brass, nickel plated

HARDWARE



Compliance: RohS II (2011/65/EU)

Tolerances: 0.00: ±0.25 mm		Date	Name	CTK 22 L-A1-F1FB00-3CD101
0.0: ±0.40 mm		08/18	dr	
			knitter-switch	30 41 32
Modifications	Date	Name		1/2